

8.22.586



PARTS LIST

Novo Rollr Engines

Single Cylinder

U Models

SU-3"×4"-600 R.P.M.
GU-3 $\frac{3}{8}$ "×4"-600 R.P.M.

KU-3"×4"-1200 R.P.M.
TU-3 $\frac{3}{8}$ "×4"-1200 R.P.M.

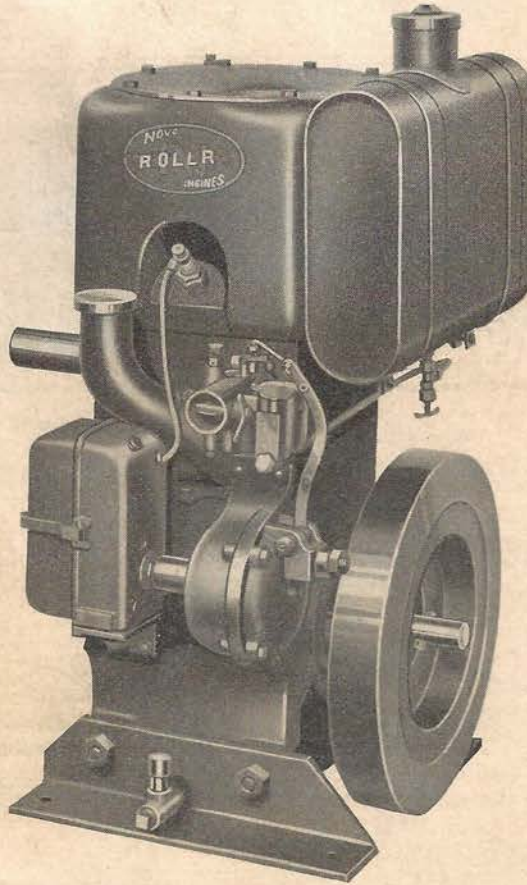


Fig. 1327

NOVO ENGINE CO.
Clarence E. Bement, Vice-Pres. & Gen. Mgr.
LANSING ~ MICHIGAN
U. S. A.

New York Office 243 Graybar Bldg.
Chicago Office 558 Washington Blvd.

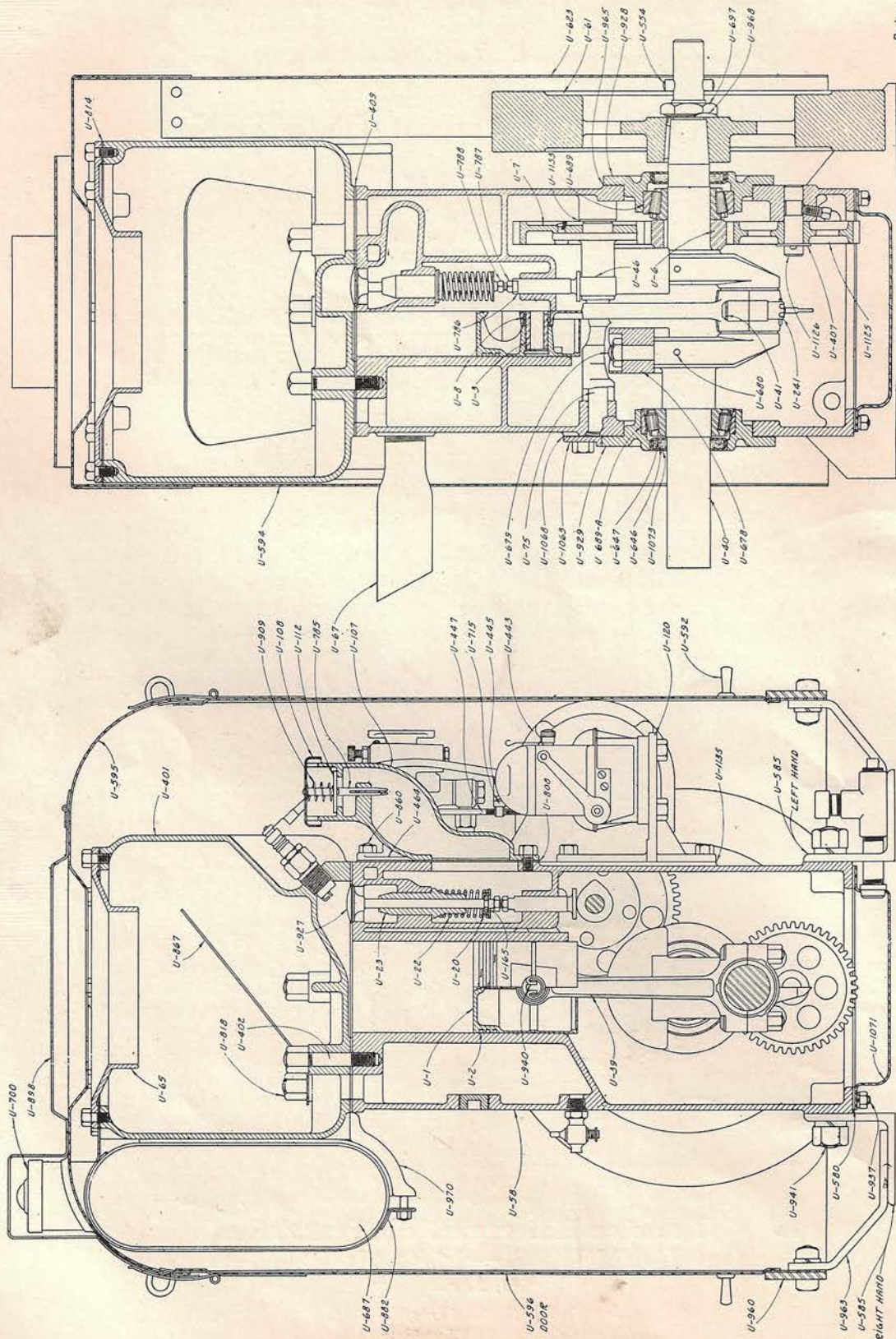


Fig. D128—Sectional View Model U Single Cylinder Engine

Always Give Model and Serial Number of Engine and Outfit When Ordering Repairs

Instructions for Ordering Parts

1. Always give serial number of engine and outfit as it appears on the brass name plates.
2. Always specify type and model of both engine and outfit.
3. Always give symbol and name of each part.
4. All prices are F.O.B. Lansing, Michigan.
5. State whether shipments are to be forwarded parcel post, express, or freight.
6. Orders for parts should be written separately from correspondence pertaining to other matters. Be sure to write your name and complete address plainly.
7. Do not order by sets. State exactly how many pieces are required.
8. This Parts List supersedes all others of previous date. Prices are subject to change without notice.
9. Returned parts must be tagged showing shipper's name and address, and be accompanied by claim letter giving full details together with serial number of engine and outfit. In case of declined claims the inspected parts are subject to the shipper's orders for disposition and we cannot be held responsible for such parts for more than 30 days.
10. Claims for defective parts not of our manufacture must be made to their respective makers insofar as they are fully warranted by their manufacturers.
11. All claims must be made within 3 days after receipt of goods.

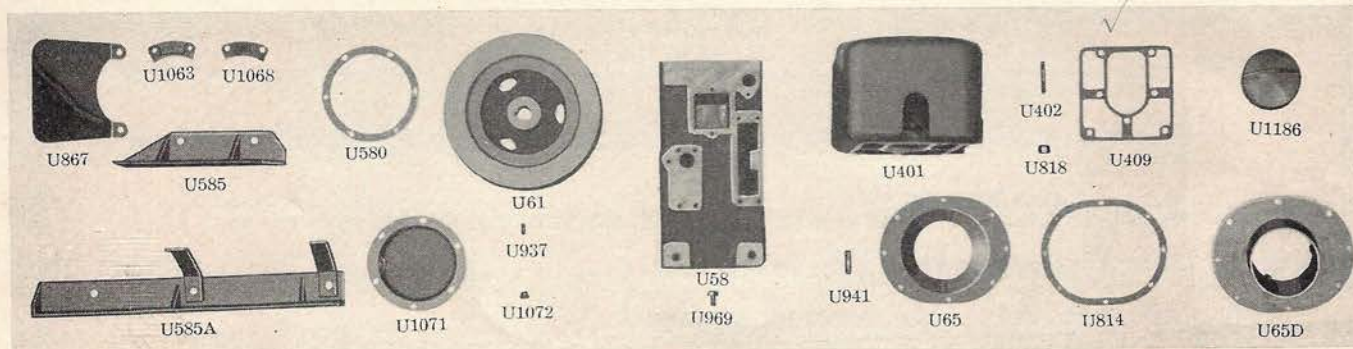
STANDARD WARRANTY

Every part of our manufacture is guaranteed against defect in either material or workmanship for a period of one year. We agree to replace free of charge any part of our manufacture sold hereunder providing the part or parts claimed defective are returned to the factory, transportation charges prepaid, within one year from original date of purchase of the engine or outfit, and upon receipt and examination we find the condition of the part or parts substantiates customer's claim of defect. When defective parts are replaced free of charge it is agreed that the manufacturer is in no way liable for expenditures covering labor or otherwise that may be incurred in the replacement of the defective parts. Claimant agrees to furnish the manufacturer with such evidence or information that may be required from time to time when handling claims.

NOVO ENGINE CO.
Clarence E. Bement, Vice-Pres. & Gen. Mgr.
LANSING ~ MICHIGAN
Cable Address "NOVO LANSING"
Distributors Throughout the World



CYLINDER, CYLINDER HEAD AND FLYWHEEL PARTS



Part No.	NAME OF PART	SU—GU		KU—TU		
		No. Used	Symbol	Price	Symbol	Price
U58	Cylinder with part 23 only used on engines numbered previous to engine SU and KU No. 17702 and GU and TU No. 17414—obsolete—state whether for hopper or radiator cooled.					
	SU and KU	1	101SU	27.00	101SU	27.00
	GU and TU	1	101GU	30.00	101GU	30.00
U58A	Cylinder assembled with parts U1A, 20, 22, 23, 165 and 927—used on engines numbered previous to engine SU and KU No. 17702 and GU and TU No. 17414—Obsolete—state whether for hopper or radiator cooled.					
	SU and KU	1	101SUA	36.00	101SUA	36.00
	GU and TU	1	101GUA	39.00	101GUA	39.00
U58B	Cylinder assembled with parts U1A, 20, 22, 23, 165 and 927—used on engines numbered after engines SU and KU No. 17701 and GU and TU No. 17413.					
	SU and KU engine hopper cooled	1	101SUD	36.00	101SUD	36.00
	GU and TU engine hopper cooled	1	101GUD	39.00	101GUD	39.00
	SU and KU engine radiator cooled	1	101SUE	36.00	101SUE	36.00
	GU and TU engine radiator cooled	1	101GUE	39.00	101GUE	39.00
U58C	Cylinder with part 23 only used on engines numbered after engines SU and KU No. 17701 and GU and TU No. 17413					
	SU and KU engine hopper cooled	1	101SUB	27.00	101SUB	27.00
	GU and TU engine hopper cooled	1	101GUB	30.00	101GUB	30.00
	SU and KU engine radiator cooled	1	101SUC	27.00	101SUC	27.00
	GU and TU engine radiator cooled	1	101GUC	30.00	101GUC	30.00
U61	Flywheel for hopper or radiator cooled, interchangeable with flywheels previously used	1	UF61H	12.00	UF61H	12.00
U65	Steel hopper cover, interchangeable with cast iron cover	1	UF65F	1.15	UF65F	1.15
U65D	Anti-splash hopper cover	1	UF65D	2.20	UF65D	2.20
U401	Cylinder head for hopper cooled engines used previous to engine SU and KU No. 17702 and GU and TU No. 17414—obsolete.					
	SU and KU	1	SU401	9.50	SU401	9.50
	GU and TU	1	GU401	10.00	GU401	10.00
*U401A	Cylinder head for radiator cooled engines used previous to engine SU and KU No. 17702 and GU and TU No. 17414—obsolete.					
	SU and KU	1	SU401B	13.00	SU401B	13.00
	GU and TU	1	GU401B	14.00	GU401B	14.00
U401B	Cylinder head for hopper cooled engines used after engine SU and KU No. 17701 and GU and TU No. 17413.					
	SU and KU	1	SU401D	11.00	SU401D	11.00
	GU and TU	1	GU401C	12.00	GU401C	12.00
*U401C	Cylinder head for radiator cooled engines used after engine SU and KU No. 17701 and GU and TU No. 17413.					
	SU and KU	1	SU401C	11.00	SU401C	11.00
	GU and TU	1	GU401E	12.00	GU401E	12.00
U402	$\frac{7}{16}$ " x $2\frac{13}{16}$ " cylinder head studs, hopper cooled	7	RF402	.20	RF402	.20
U402A	$\frac{7}{16}$ " x $3\frac{1}{2}$ " cylinder head studs, radiator cooled	7	UF402	.20	UF402	.20
U409	Cylinder head gasket	1	SU409	.35	SU409	.35
U580	Gasket for oil pan, 6 holes, used on engines numbered previous to engine No. 12532—obsolete	1	UF580	.10	UF580	.10
*U580A	Gasket for oil pan, 8 holes, used on engines numbered after engine No. 12531	1	UF580A	.10	UF580A	.10
*U585RF	Engine support, right hand or plain side for engine less housing, interchangeable with engine supports previously used	1	SU585RF	2.00	SU585RF	2.00
*U585LF	Engine support, left hand or carburetor side for engine less housing, interchangeable with engine supports previously used	1	SU585LF	2.00	SU585LF	2.00

*Parts not illustrated.

Always Give Model and Serial Number of Engine and Outfit when Ordering Repairs



CYLINDER, CYLINDER HEAD AND FLYWHEEL PARTS—Continued

Part No.	NAME OF PART	No.		Price	SU—GU		Price	KU—TU		Price
		Used	Symbol		Symbol	Symbol				
U585RA	Housing and engine support, right hand for engine with housing, used on engines numbered previous to engine number 14781—obsolete	1	T3462	3.50	T3462		3.50			3.50
U585LA	Housing and engine support, left hand for engine with housing, used on engines numbered previous to engine No. 14781—obsolete	1	T3463	3.25	T3463		3.25			3.25
*U585RFR	Engine and housing support, right hand or plain side for engine with housing, used on engines numbered after engine No. 14780	1	T3852	2.75	T3852		2.75			2.75
*U585LFR	Engine and housing support, left hand or carburetor side for engine with housing, used on engines numbered after engine No. 14780	1	T3853	2.75	T3853		2.75			2.75
*U585RB	Housing and engine support, right hand, for engine with housing, clutch and 8 to 1 gear reduction used on engines numbered previous to engine No. 14781—obsolete	1	T3645	6.00	T3645		6.00			6.00
*U585LB	Housing and engine support, left hand, for engine with housing, clutch and 8 to 1 gear reduction used on engines numbered previous to engine No. 14781—obsolete	1	T3646	6.00	T3646		6.00			6.00
*U585RD	Engine support right hand or plain side, for engine with clutch and 8 to 1 gear reduction less housing used on engines numbered after engine No. 14780	1	SU585RD	2.50	SU585RD		2.50			2.50
*U585LD	Engine support, left hand or carburetor side for engine with clutch and 8 to 1 gear reduction less housing, used on engines numbered after engine No. 14780	1	SU585LD	2.50	SU585LD		2.50			2.50
*U585RDR	Engine and housing support right hand or plain side for engine with clutch 8 to 1 gear reduction and housing, used on engines numbered after engine No. 14780	1	T4118	4.00	T4118		4.00			4.00
*U585LDR	Engine and housing support left hand or carburetor side, for engine with clutch 8 to 1 gear reduction and housing used on engines numbered after engine No. 14780	1	T4119	4.00	T4119		4.00			4.00
U814	Gasket for hopper cover	1	UF814	.20	UF814		.20			.20
U818	7/16" hex brass nut for cylinder head stud hopper cooled	7	RF818	.20	RF818		.20			.20
U867	Baffle plate for hopper	1	SU867	.05	SU867		.05			.05
U937	3/8" x 1 1/16" stud for oil pan, obsolete	6	UF937	.10	UF937		.10			.10
U937A	1/4" x 3/4" stud for oil pan	8	UF937B	.10	UF937B		.10			.10
U941	5/8" x 2 1/8" stud for engine support	4	UF941	.20	UF941		.20			.20
*U969B	5/16" headless brass plug for old style magneto bracket	4	UF969B	.10	UF969B		.10			.10
U969	3/8" x 1/2" hex head brass plug for cylinder for crankshaft drive	6	RU969A	.15	RU969A		.15			.15
*U975A	1 1/2" diameter Welch plug for cylinder	1	SU975A	.05	SU975A		.05			.05
*U1052	Support for 8 to 1 gear reduction housing—obsolete	1	SU1052A	1.50	SU1052A		1.50			1.50
*U1052A	Support for 8 to 1 gear reduction housing	1	SU1052B	1.50	SU1052B		1.50			1.50
U1063	Crank hole cover—interchangeable with cast iron crank hole cover	1	SU1063B	.15	SU1063B		.15			.15
U1068	Gasket for crank hole cover	1	SU1068A	.05	SU1068A		.05			.05
U1071	Oil pan, 6 holes used on engines numbered previous to engine No. 12531—obsolete	1	T3629	1.75	T3629		1.75			1.75
U1071A	Oil pan, 8 holes, used on engines numbered after engine No. 12530	1	T3801	1.50	T3801		1.50			1.50
U1072	Nut for oil pan stud—obsolete	6	UF1072	.10	UF1072		.10			.10
U1186	Screen assembly for anti-splash cover	1	UF1186	2.80	UF1186		2.80			2.80

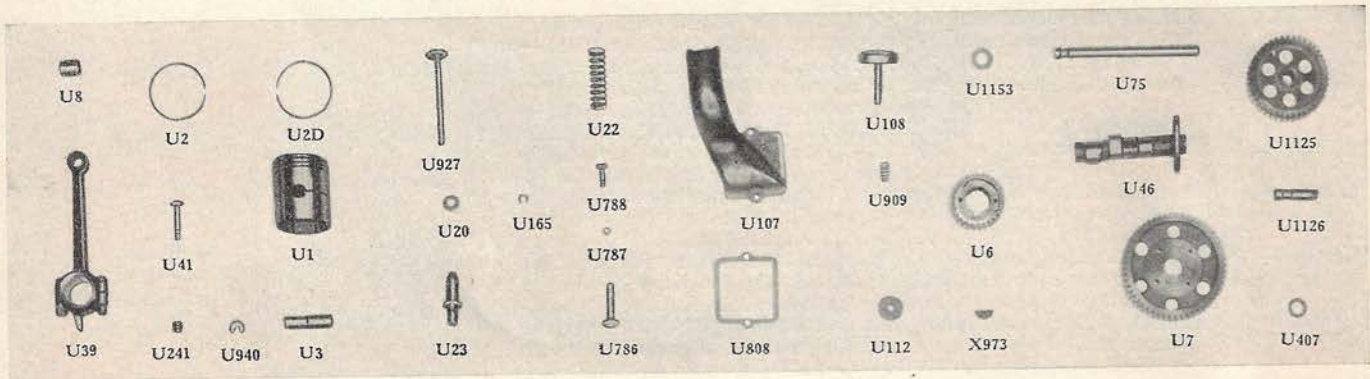
STANDARD PURCHASED MATERIAL

X252	13/16" diameter expansion disc plug	2	X252	.04	X252		.04
X365	1/4" hex nut for oil pan stud	8	X365	.02	X365		.02
X370	7/16" hex nut for cylinder head stud, radiator cooled	7	X370	.03	X370		.03
X372	5/8" hex nut for engine support stud	4	X372	.04	X372		.04
X412	1/4" lock washer for oil pan stud	8	X412	.01	X412		.01
X417	5/8" lock washer for engine support stud	4	X417	.01	X417		.01
X432	5/16" x 5/8" hex head cap screw for cast iron hopper cover	8	X432	.04	X432		.04
X447	3/8" x 3/4" hex head cap screw for cast iron crank hole cover	2	X447	.04	X447		.04
X461	5/16" x 1/2" hex head cap screw for steel hopper cover	8	X461	.04	X461		.04
X499	3/8" x 1/2" hex head cap screw for steel crank hole cover SU1063B	2	X449	.03	X449		.03
X973	No. C Woodruff key for flywheel	1	X973	.05	X973		.05
	1/8" x 1" x 3" felt for crank hole cover	1		.03			.03

*Parts not illustrated.



CONNECTING ROD, PISTON, VALVE, TAPPETT, BREATHER TUBE
TIMING GEARS AND OIL GEAR PARTS



Part No.	NAME OF PART	SU—GU		KU—TU		
		No. Used	Symbol	Price	Symbol	Price
*U1A	3" diameter piston assembled with parts 1, 2, 3 and 940 for SU and KU engines	1	100UFA	4.80	100UFA	4.80
*U1A	3 3/16" diameter piston assembled with parts 1, 2, 3 and 940 for GU and TU engines, used on engines numbered previous to engine No. 17414—obsolete	1	100HU	4.80	100HU	4.80
*U1B	3 3/8" diameter piston assembled with parts 1, 2, 3 and 940 for GU and TU engines used on engines numbered after engine No. 17413	1	100GU	5.35	100GU	5.35
U1	3" diameter piston only for SU and KU engines	1	UF1	3.00	UF1	3.00
U1	3 3/16" diameter piston only for GU and TU engines, used on engines numbered previous to engine No. 17414—obsolete	1	HU1	3.00	HU1	3.00
U1	3 3/8" diameter piston only for GU and TU engines used on engines numbered after engine No. 17413	1	GU1	3.35	GU1	3.35
U2	3" diameter plain piston ring for SU and KU engines	2	UF2	.30	UF2	.30
U2	3 3/16" diameter plain piston ring for GU and TU engines, used on engines numbered previous to engine No. 17414—obsolete	2	HU2	.30	HU2	.30
U2	3 3/8" diameter plain piston ring for GU and TU engines, used on engines numbered after engine No. 17413	2	RRU2	.40	RRU2	.40
U2D	3" diameter piston ring, oil regulating, for SU and KU engines	1	UF2D	.35	UF2D	.35
U2D	3 3/16" diameter piston ring, oil regulating, for GU and TU engines, used on engines numbered previous to engine No. 17414—obsolete	1	HU2D	.35	HU2D	.35
U2D	3 3/8" diameter piston ring, oil regulating for GU and TU engines, used on engines numbered after engine No. 17413	1	RRU2D	.45	RRU2D	.45
U3	Piston pin for SU and KU engines	1	UF3	.65	UF3	.65
U3	Piston pin for GU and TU engine, used on engines numbered previous to engine No. 17414—obsolete	1	UF3	.65	UF3	.65
U3	Piston pin for GU and TU engine, used on engines numbered after engine No. 17413	1	GU3	.65	GU3	.65
U6	Cam pinion	1	UF6	2.00	UF6	2.00
U7	Cam gear	1	UF7	1.75	UF7	1.75
*U7A	Cam gear, cam and sleeve assembled with parts 7, 46 and X681	1	T3437	8.50	T3437	8.50
U8	Connecting rod bushing	1	UF8	.20	UF8	.20
U20	Valve stem collar	2	UF20	.10	UF20	.10
U22	Valve spring, inlet or exhaust	2	UF22	.10	UF22	.10
U23	Valve stem guide	2	UF23	.40	UF23	.40
U39	Connecting rod assembled with parts 8, 41, 241, and X262	1	T3227	6.50	T3227	6.50
U41	Connecting rod bolt	2	UF41	.25	UF41	.25
U46	Cam and sleeve	1	SU46B	6.25	SU46B	6.25
U75	Cam shaft	1	SU75	.60	SU75	.60
U107	Breather tube and valve cover	1	SU107	2.25	SU107	2.25
U108	Breather tube cover and stem assembled	1	103RF	.95	103RF	.95
*U108A	Breather tube cover assembled with parts 112, 909, X267 and X401	1	T3114	1.05	T3114	1.05
U112	Breather valve	1	RF112	.15	RF112	.15
U165	U washer for valve stem	2	UF165	.03	UF165	.03
U241	Connecting rod bolt nut	2	UF241	.15	UF241	.15
U407	Steel washer for oil gear shaft	1	AF407	.05	AF407	.05
U786	Valve tappet	2	SU786	.90	SU786	.90
U787	Nut for valve tappet adjusting screw	2	UF787	.02	UF787	.02
U788	Valve tappet adjusting screw	2	UF788	.15	UF788	.15
U808	Gasket for breather tube and valve cover	1	SU808	.05	SU808	.05
U909	Breather valve spring	1	RF909	.50	RF909	.50
U927	Valve, inlet or exhaust	2	UF927C	.50	UF927C	.50
*U927D	Silchrome valve, exhaust—used on engines above 1500 R.P.M. crankshaft speed	1	UF927D	1.00	UF927D	1.00
U940	Snap ring for piston	2	UF940	.10	UF940	.10

*Parts not illustrated.

Always Give Model and Serial Number of Engine and Outfit when Ordering Repairs



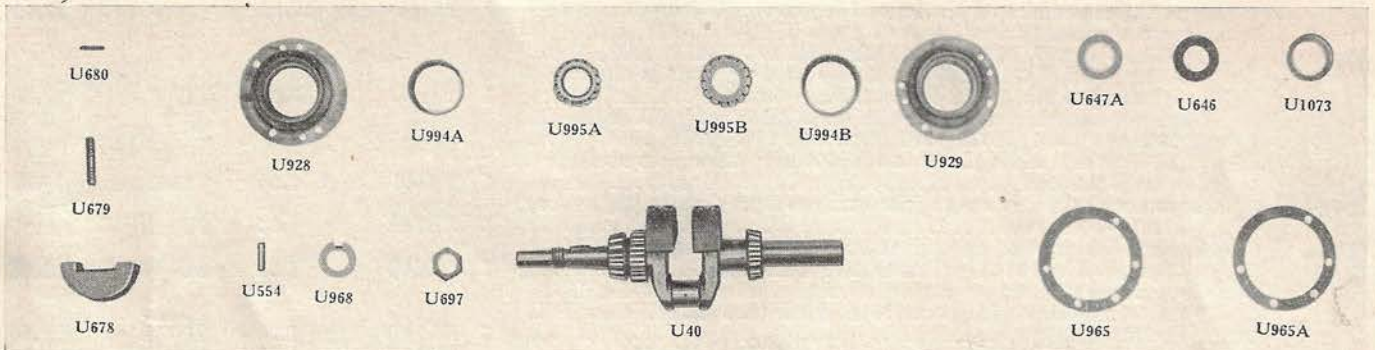
CONNECTING ROD, PISTON, VALVE, TAPPET, BREATHER TUBE TIMING GEARS, OIL GEAR PARTS—Continued.

Part No.	NAME OF PART	SU—GU		KU—TU		
		No. Used	Symbol	Price	Symbol	Price
*U975	1 3/16" diameter expansion plug for cam shaft in cylinder	2	SU975	.05	SU975	.05
U1125	Oil gear	1	SU1125	2.00	SU1125	2.00
U1126	Shaft for oil gear	1	SU1126B	.40	SU1126B	.40
U1153	Fiber washer for camshaft	1	SU1153	.10	SU1153	.10
*U1153A	Steel washer for camshaft	1	SU1153A	.05	SU1153A	.05
*U1305	Tee for oil drain 3/8" x 3/8" x 3/8"	1	SU1305	.16	SU1305	.16

STANDARD PURCHASED MATERIAL

X42	3/8" pipe plug for oil drain	1	X42	.04	X42	.04
X127	3/8" close nipple for oil drain	1	X127	.06	X127	.06
X171	3/8" x 2 1/2" nipple for oil drain	1	X171	.06	X171	.06
X262	3/32" x 3/4" cotter pin for connecting rod bolt	2	X262	.01	X262	.01
X267	1/16" x 1/2" cotter pin for breather tube valve stem	1	X267	.01	X267	.01
X269	1/8" x 1" cotter pin for oil gear shaft	1	X269	.01	X269	.01
X305	3/16" x 1/2" set screw for oil gear shaft	1	X305	.02	X305	.02
X309	3/16" x 1 1/4" set screw for cam shaft	1	X309	.04	X309	.04
X401	3/16" rivet washer for breather tube valve stem	1	X401	.01	X401	.01
X433	3/16" x 3/4" hex head cap screw for breather tube and valve cover	2	X433	.04	X433	.04
X681	1 1/4" x 5/8" round head rivet for cam gear and cam	4	X681	.01	X681	.01
X973	No. C Woodruff key for cam pinion and flywheel	2	X973	.05	X973	.05
X1200	3/8" pipe cap for oil drain	1	X1200	.06	X1200	.06

CRANKSHAFT AND BEARING PARTS



U40	Crankshaft for crankshaft drive assembled with part U6, 678, 679, 680, 995A, 995B and X358	1	112SU	23.00	112SU	23.00
U40A	Crankshaft for gear reduction assembled with parts U6, 678, 679, 680, 995A, 995B and X358	1	112SUA	23.75	112SUA	23.75
U40B	Crankshaft for clutch assembled with parts U6, 678, 679, 680, 995A, 995B and X358	1	112SUB	25.00	112SUB	25.00
U40C	Crankshaft for engine used by Hobart Bros. assembled with parts U6, 678, 679, 680, 995A, 995B and X358	1	112SUC	23.75	112SUC	23.75
U554	Starting crank pin	1	LF554	.12	LF554	.12
U646	Felt washer for main bearing housing	2	LF646B	.20	LF646B	.20
U647A	Inner felt washer retainer for main bearing housing	2	LF647B	.20	LF647B	.20
U678	Counterweight for crankshaft	2	UF678	.75	UF678	.75
U679	1/2" x 2 5/8" stud for counterweight	2	UF679	.15	UF679	.15
U680	3/16" x 1 1/16" pin for counterweight stud	2	UF680	.02	UF680	.02
*U689E	No. 2786—2720 Front Timken roller bearing complete for crankshaft	1	SU689	5.20	SU689	5.20
*U689A	No. 337-333 Rear Timken roller bearing complete for crankshaft	1	SU689A	5.69	SU689A	5.69
U697	Crankshaft nut for flywheel and power gear	2	UF697	.35	UF697	.35
U697A	Crankshaft nut for clutch	1	SU697	.35	SU697	.35
U928	Front main bearing housing with part U994A	1	SU928	4.15	SU928	4.15
U929	Rear main bearing housing with part U994B	1	SU929	4.60	SU929	4.60
U965	Gasket for main bearing housing	8	UF965	.03	UF965	.03
U968	Crankshaft lock washer	1	UF968	.10	UF968	.10
U994A	No. 2720 Front cup for roller bearing	1	SU994A	1.95	SU994A	1.95
U994B	No. 333 Rear cup for roller bearing	1	UF994	2.11	UF994	2.11
U995A	No. 2786 Front cone and rollers for roller bearing	1	SU995A	3.25	SU995A	3.25
U995B	No. 337 rear cone and rollers for roller bearing	1	SU995B	3.58	SU995B	3.58
U1073	Outer felt washer retainer for main bearing housing	2	UF1073	.20	UF1073	.20

STANDARD PURCHASED MATERIAL

X358	1/2" hex nut for counterweight stud	2	X358	.04	X358	.04
X414	3/8" lock washer for main bearing housing	8	X414	.01	X414	.01
X449	3/8" x 1" hex head cap screw for main bearing housing	8	X449	.04	X449	.04

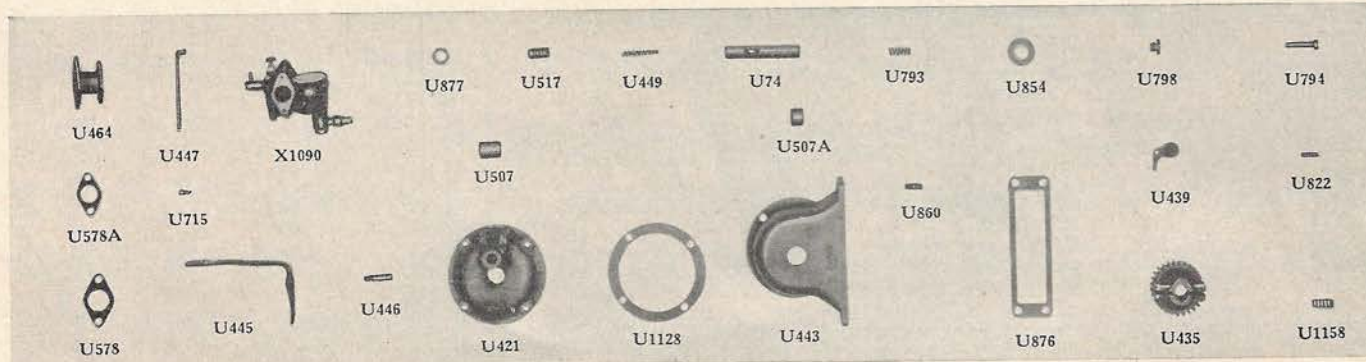
*Parts not illustrated.

Always Give Model and Serial Number of Engine and Outfit when Ordering Repairs



CARBURETOR AND GOVERNOR PARTS

See Page 11 for additional Governor Parts.



Part No.	NAME OF PART	No. Used	SU—GU		KU—TU	
			Symbol	Price	Symbol	Price
*	Governor spring rod assembly used on engines numbered after No. 23042	1	T4264	.65	T4264	.65
*	Governor assembly complete with parts U74, 421, 435, 439, 443, 507, 507A, 794, 798, 822, 854, 1128, X301, X434 and X969 used on engines numbered previous to engine No. 17413—obsolete	1	T3440	17.00	T3440	17.00
*	Governor assembly complete with parts U74D, 421, 435, 439, 443, 445B, 446, 507, 507A, 794A, 822, 854, 1128, 1289, 1292, X301, X365, X412, X434, X969 and X1109 used on engines numbered after engine No. 17412 to No. 23043—obsolete	1	T4190	17.00	T4190	17.00
*	Governor assembly complete with parts U74E, 421, 435, 439, 443, 445F, 446, 507, 507A, 794A, 822, 854, 1128, 1289, 1292, X301, X365, X412, X434, X969 and X1109 used on engines numbered after No. 23042	1	T4266	17.00	T4266	17.00
U74	Governor shaft, used on engines numbered previous to engine No. 17413—obsolete	1	SU74B	1.35	SU74B	1.35
*U74A	Governor shaft, used on engines numbered after engine No. 17412 to engine No. 19763—obsolete	1	SU74C	1.25	SU74C	1.25
*U74D	Governor shaft used on engines numbered after engine No. 19762 interchangeable with part U74A when part SU1005A or B is furnished obsolete	1	SU74D	1.70	SU74D	1.70
*U74E	Governor shaft used on engines numbered after No. 23042	1	SU74E	1.75	SU74E	1.75
U421	Bearing for governor shaft with bushing U507, used on engines numbered previous to No. 17413—obsolete	1	114SU	2.25	114SU	2.25
U421	Bearing for governor shaft with bushing U507, used on engines numbered after engine No. 17412	1	114SUA	2.00	114SUA	2.00
U435	Governor pinion, drilled and tapped for set screw	1	UF435	2.00	UF435	2.00
U439	Governor weight, interchangeable with RF439A	2	SU439	.65	SU439	.65
U443	Governor housing with bushing U507A	1	115SU	5.50	115SU	5.50
U445	Governor lever for Zenith carburetor used on engines numbered previous to engine No. 17217—obsolete	1	SU445A	1.70	SU445A	1.70
*U445A	Governor lever for Tillotson carburetor—obsolete	1	SU445	1.50	SU445	1.50
*U445B	Governor lever for Zenith carburetor used on engines numbered after engine No. 17216 obsolete	1	SU445E	1.60	SU445E	1.60
*U445C	Governor lever used on Tillotson Carburetor on engines numbered after No. 23042	1	SU445F	1.60	SU445F	1.60
U446	Governor lever pin, used on engines numbered previous to engine No. 17413—obsolete	1	RF446	.20	RF446	.20
*U446A	Governor lever pin, used on engine numbered after engine No. 17412	1	SU446	.10	SU446	.10
U447	Governor rod for Zenith carburetor used on engines numbered previous to engine No. 17217—obsolete	1	SU447B	.30	SU447B	.30
*U447	Governor rod for Tillotson carburetor—obsolete	1	SU447A	.30	SU447A	.30
*U447A	Governor rod for Zenith carburetor model HF3½N used on engines numbered after engine No. 17216 obsolete	1	SU447F	.25	SU447F	.25
*U447B	Governor rod for Zenith carburetor model HF3½N—interchangeable with SU447F when SU715 is furnished	1	SU447G	.45	SU447G	.45
*U447C	Governor rod used on engines numbered after No. 23042	1	SU447H	.25	SU447H	.25
U449	Governor adjusting spring used on engines numbered previous to engine No. 17413—obsolete	1	SU449A	.15	SU449A	.15
U449A	Governor adjusting spring for 1500 to 1800 R.P.M. used on engines numbered previous to engine No. 17413	1	SU449B	.15
U449B	Governor adjusting spring used on engines numbered after engine No. 17412 to No. 23043—obsolete	1	SU449B	.15
U449B	Governor adjusting spring used on engines numbered after engine No. 17412 to No. 23043—obsolete	1	RF449	.15

*Parts not illustrated.

Always Give Model and Serial Number of Engine and Outfit when Ordering Repairs



CARBURETOR AND GOVERNOR PARTS—Continued

Part No.	NAME OF PART	SU—GU		KU—TU		
		No. Used	Symbol	Price	Symbol	Price
U464	Carburetor adapter for HR20L Zenith carburetor, used on engines numbered previous to engine No. 17217—obsolete.	1	SU464A	1.00	SU464A	1.00
U464A	Carburetor adapter for Tillotson carburetor—obsolete.	1	SU464	2.00	SU464	2.00
*U464B	Carburetor adapter for HF3½N Zenith carburetor, used on engines numbered after engine No. 17216 to 17413.	1	SU464B	1.40	SU464B	1.40
U507	Bushing for governor shaft—long.	1	SU507	.40	SU507	.40
U507A	Bushing for governor shaft—short.	1	SU507A	.35	SU507A	.35
U517	Governor spring adjusting screw.	1	RF517A	.40	RF517A	.40
U578	Carburetor adapter gasket, used on engines numbered previous to engine No. 17217—obsolete.	1	SU578	.05	SU578	.05
U578A	Carburetor gasket used on engines numbered previous to No. 17217—obsolete.	1	SU578A	.05	SU578A	.05
*U578B	Carburetor gasket used on engines numbered after engine No. 17216.	2	NF578	.05	NF578	.05
U715	Governor lever pin obsolete.	1	RF715	.30	RF715	.30
*U715A	Governor rod pin used with SU447G.	1	SU715	.30	SU715	.30
U793	Spring for governor shaft plunger for 600 to 900 R.P.M. used on engines numbered previous to engine No. 17413—obsolete.	1	SU793K	.15		
U793	Spring for governor shaft plunger for 1200 to 1500 R.P.M. used on engines numbered previous to engine No. 17413—obsolete.	1			SU793E	.15
U793	Spring for governor shaft plunger for 1500 to 1800 R.P.M. used on engines numbered previous to engine No. 17413—obsolete.	1			SU793L	.15
U793A	Governor spring used on engines numbered after No. 23042.	1	UF793A	.15		
U793B	Governor spring used on engines numbered after No. 23042.	1			UF793B	.15
U794	Governor plunger, used on engines numbered previous to No. 17413—obsolete.	1	SU794	.50	SU794	.50
*U794A	Governor plunger with steel ball X1109 used on engines numbered after engine No. 17412.	1	SU794A	.40	SU794A	.40
U798	Screw for end of governor shaft, used on engines numbered previous to engine No. 17413—obsolete.	1	SU798A	.35	SU798A	.35
U822	Governor weight pin.	2	RF822	.05	RF822	.05
U854	Fiber washer for governor shaft.	2	RF854	.10	RF854	.10
U860	5/16" x 1 5/16" stud for carburetor adapter and governor housing to cylinder, used on engines numbered previous to engine No. 17413—obsolete, use FFU937.	6	YF860	.08	YF860	.08
U876	Thick gasket for governor housing to cylinder.	3	SU876	.05	SU876	.05
*U876A	Thin gasket for governor housing to cylinder.	5	SU876A	.05	SU876A	.05
U877	Lock nut for governor adjusting screw obsolete.	1	RF877	.10	RF877	.10
*U937	5/16" x 1" stud for carburetor to cylinder.	2	FFU937	.08	FFU937	.08
U1128	Gasket for governor shaft bearing.	3	SU1128	.05	SU1128	.05
U1158	1/4" x 5/8" special set screw for governor pinion, use X301—obsolete.	1	SU1158	.02	SU1158	.02
*U1222	Bracket for governor rod used on engines numbered after engine No. 23042.	1	SU1222	.25	SU1222	.25
*U1267A	Rod for governor spring used on engines numbered after No. 23042.	1	SU1267A	.10	SU1267A	.10
*U1269	Yoke for governor lever used on engines numbered after No. 23042.	1	SU1269	.35	SU1269	.35
*U1270	Pin for governor spring rod yoke used on engines numbered after No. 23042.	1	SU1270	.10	SU1270	.10
*U1289	Fiber washer for governor lever pin.	1	SU1289	.02	SU1289	.02
*U1292	Spring for governor lever pin.	1	SU1292	.05	SU1292	.05
NM23	Carburetor stud for Tillotson carburetor used on engines numbered after No. 23042.	1	1NM23A	.10	1NM23A	.01

STANDARD PURCHASED MATERIAL

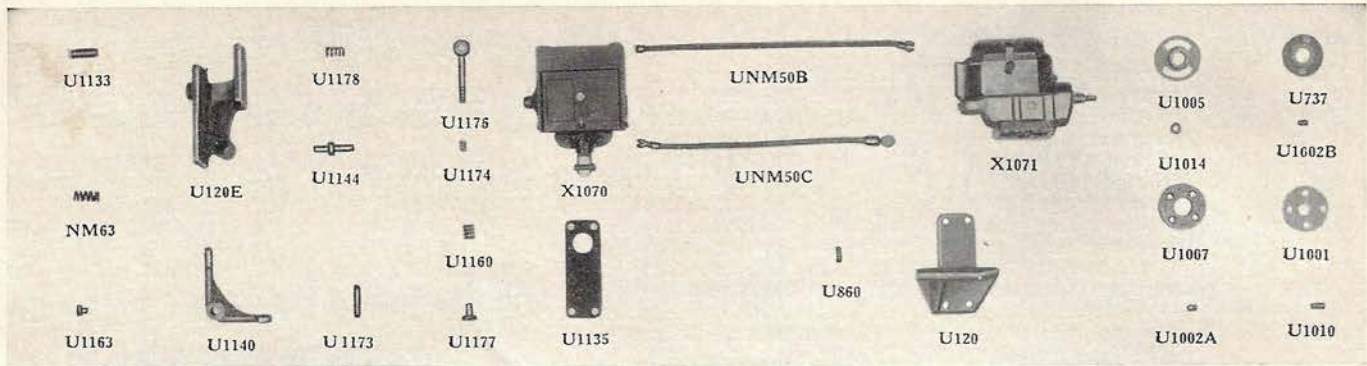
X267	1/16" x 1/2" cotter pin for governor rod.	2	X267	.01	X267	.01
X301	1/4" x 1/2" set screw for governor pinion.	1	X301	.02	X301	.02
X365	1/4" hex nut for carburetor to adapter and governor lever pin.	3	X365	.02	X365	.02
X367	5/16" hex nut for carburetor adapter and governor housing stud.	6	X367	.02	X367	.02
X412	1/4" lockwasher for governor lever pin.	1	X412	.01	X412	.01
X430	1/4" x 5/8" hex head cap screw for carburetor to adapter.	1	X430	.03	X430	.03
X431	1/4" x 1" hex head cap screw for carburetor to adapter.	1	X431	.04	X431	.04
X434	5/16" x 7/8" hex head cap screw for governor bearing to housing.	4	X434	.04	X434	.04
X969	No. 6 Woodruff key for governor shaft and pinion.	1	X969	.02	X969	.02
X1090	Zenith carburetor model HR20L, used on engines numbered previous to No. 17217—obsolete.	1	X1090	10.00	X1090	10.00
X1091	Zenith carburetor model HF3½N, used on engines numbered after No. 17216 to No. 23043—obsolete.	1	X1091	12.50	X1091	12.50
X1092	Tillotson carburetor model MS54A used on engines numbered after No. 23042.	1	X1092	10.00	X1092	10.00
X1109	5/16" steel ball for governor plunger, used on engines numbered after engine No. 17412.	1	X1109	.02	X1109	.02

*Parts not illustrated.

Always Give Model and Serial Number of Engine and Outfit when Ordering Repairs



MAGNETO AND MAGNETO PARTS



Part No.	NAME OF PART	SU—GU		KU—TU		
		No. Used	Symbol	Price	Symbol	Price
*	Type EK Wico magneto assembly complete with parts U120J, 179, 1140, 1144, 1160, 1163, 1173, 1174A, 1176A, 1177, 1178, 1298, NM63, X367, X413, X413A, X436 and X1070 used on engines numbered previous to engine No. 20736—obsolete	1	T3478	24.25
	Note: For price of complete assembly less magneto, deduct price of magneto only.					
UNM50B	Magneto cable for EK Wico magneto	1	1½NM50D	.40
UNM50C	Magneto cable with rubber adapter	1	KUNM50C	.75
NM63	Return spring	1	1½NM63	.20
U120	Magneto bracket for B1 Wico magneto used on engines numbered previous to engine No. 15269—obsolete	1	SU120F	1.50
U120E	Magneto bracket for EK Wico magneto—obsolete—see part SU120J	1	SU120E	2.50
*U120A	Magneto bracket for B1 Wico magneto used on engines numbered previous to engine No. 20393	1	SU120H	1.50
*U120J	Magneto bracket with part 1298 for EK Wico magneto, used on engines numbered previous to engine No. 19103 interchangeable with bracket SU120E	1	SU120J	2.50
*U120K	Magneto bracket for attaching to cylinder block for model "S" Bosch magneto, used on engines numbered from SU, GU, No. 20736 and KU, TU 20393 to No. 22640	1	SU120K	2.00	SU120K	2.00
*U120L	Magneto bracket for attaching to governor housing for model "S" Bosch magneto, used on engines numbered after engine No. 22639—obsolete	1	SU120L	.60	SU120L	.60
*U120M	Magneto bracket used on engines numbered after engine No. 23042	1	SU120M	.75	SU120M	.75
*U179	Special washer for adjusting rod used on engines numbered up to engine No. 20736—obsolete	3	SU179	.02
U737	Magneto hub assembled with part U1002B used on engines numbered previous to engine No. 15269—obsolete	T3519	1.75
*U737B	Magneto drive hub used on engines numbered after engine SU and GU No. 20735 and KU and TU No. 15268	1	SU737B	.65	SU737B	.65
*U737C	Magneto shaft hub used on engines numbered after engine No. 23042	1	SU737C	.75	SU737C	.75
U860	5/16" x 1" stud for magneto bracket	4	FFU937	.08	FFU937	.08
*U1001A	Drive plate assembled with parts 1001, 1002, 1005, 1010, 1014, X387 and X413, used on engines numbered previous to engine No. 15269—obsolete	1	T3304	1.85
U1001	Drive plate assembled with parts 1001, 1002, 1010, X387 and X413 used on engines numbered previous to engine No. 15269—obsolete	1	T3318	1.25
U1002A	Pin for drive plate U1001—obsolete	2	UF1002A	.05
U1002B	Pin for magneto hub U737—obsolete	2	UF1002B	.05
*U1003A	Magneto coupling nut for model "S" Bosch magneto—obsolete	1	SU1003A	.10	SU1003A	.10
U1005	Magneto drive coupling used on engines numbered previous to engine No. 15269—obsolete	1	UF1005	.50
U1005	Magneto drive coupling used on engines numbered after engine No. 15268 to No. 19764—obsolete	1	SU1005	.80
*U1005A	Magneto drive coupling used on engines numbered after No. 19763—obsolete	1	SU1005A	1.75
*U1005B	Magneto drive coupling used on engines numbered after engines SU—GU No. 20735 and KU and TU No. 20393 used for model S Bosch magneto—obsolete	1	SU1005B	1.50	SU1005B	1.50
U1605C	Magneto drive coupling used on engines numbered after engine No. 23042	1	SU1005C	1.50	SU1005C	1.50
U1007	Fiber disc—obsolete	1	UF1007	1.00
U1010	Pin with 5/16" SAE thread for drive plate U1001—obsolete	2	UF1010	.10
U1014	Washer for drive plate pin—obsolete	2	UF1014	.01

*Parts not illustrated.

Always Give Model and Serial Number of Engine and Outfit when Ordering Repairs



MAGNETO AND MAGNETO PARTS—Continued

Part No.	NAME OF PART	SU—GU		Price	KU—TU	
		No. Used	Symbol		Symbol	Price
U1133	Plunger for magneto trip used on engines numbered previous to engine No. 20736—obsolete	1	SU1133C	.20		
U1135	Cork gasket for magneto bracket used on engines numbered previous to engine SU and GU No. 20736 and KU and TU No. 20393—obsolete	1	SU1135	.05	SU1135	.05
*U1135A	Paper gasket for magneto bracket used on engines numbered after engine SU and GU No. 20735 and KU and TU No. 20392	1	SU1135A	.05	SU1135A	.05
U1140	Trip lever with part U1163, used on engines numbered previous to engine No. 20736—obsolete	1	SU1140D	.75		
U1144	Eccentric shaft, used on engines numbered previous to engine No. 20736—obsolete	1	SU1144B	.85		
U1160	Trip spring, used on engines numbered previous to engine No. 20736—obsolete	1	SU1160B	.25		
U1163	Pilot for return spring, used on engines numbered previous to engine No. 20736—obsolete	2	SU1163A	.10		
U1173	Eccentric shaft lever used on engines numbered previous to engine No. 20736—obsolete	1	SU1173	.05		
U1174A	Cushion spring	1	SU1174A	.15		
U1176	Adjusting rod for trip spring—obsolete—see part U1176A	1	SU1176A	.55		
U1176 A	Adjusting rod for trip spring, interchangeable with part SU1176A except that SU1176A requires two washers above spring SU1174A whereas SU1176B requires only one	1	SU1176B	.55		
U1177	Sleeve for trip spring and adjusting rod, used on engines numbered previous to engine No. 20736—obsolete	1	SU1177A	.30		
U1178	Spring for eccentric shaft, used on engines numbered previous to engine No. 20736—obsolete	1	SU1178	.10		
*U1298	Bushing for magneto bracket used on engines numbered up to engine No. 20736—obsolete	1	SU1298	.60		

STANDARD PURCHASED MATERIAL

X356	3/8" 16 threads hex nut 1/4" thick for B1 magneto shaft	1			X356	.03
X367	5/16" hex nut 4 used for magneto bracket stud—2 used for adjusting rod	6	X367	.02	X367	.02
X387	3/16" hex nut SAE for magneto drive plate	2			X387	.02
X412	3/8" plain washer for magneto	2			X412	.01
X413	5/16" lock washer for magneto bracket stud and EK Wico magneto	6	X413	.01	X413	.01
X413A	3/16" shakeproof lockwasher for EK Wico magneto assembly	1	X413A	.01		
X414	3/8" lock washer for magneto	2			X414	.01
X436	5/16" x 1 1/4" hex head cap screw for magneto	2	X436	.04		
X448	3/8" x 7/8" hex head cap screw for magneto	2			X448	.04
X524	No. 2 x 1" taper pin for drive hub UF1005—obsolete	1			X524	.02
X535	No. 3 x 1 1/4" taper pin for drive hub SU1005—obsolete	1			X535	.03
X1070	Model EK Wico magneto with cable—obsolete	1	X1070	18.00		
X1071	Model B1 Wico magneto with cable—obsolete	1			X1071	24.00
*X1072	Model S Bosch magneto with cable	1	X1072	14.00	X1072	14.00
*A2691	Magneto coupling nut used on engines numbered after No. 23042	1	A2691	.10	A2691	.10

GOVERNOR PARTS FOR VARIABLE SPEED GOVERNOR

*	Variable speed attachment with parts 710A, 1219 and 1315 used on engines numbered after No. 23042	1	T4265	1.25	T4265	1.25
*	Governor adjusting bracket assembly, parts 666, 710, 713, 1288, 1289, X350 and X674 used on engines numbered previous to No. 23043	1	T4062B	1.00	T4062B	1.00
*U449C	Governor spring	1	SU449A	.15	SU449A	.15
*U666	Knob for lever	1	AF666	.25	AF666	.25
*U710	Bracket for governor adjusting spring lever used on engines numbered previous to No. 23042—obsolete	1	SU710A	.50	SU710A	.50
*U710A	Guide for governor spring rod used on engines numbered after No. 23042	1	SU710B	.35	SU710B	.35
*U713	Lever	1	SU713	.15	SU713	.15
*U1219	Lever for speed control used on engines numbered after No. 23042	1	SU1219	.15	SU1219	.15
*U1266	Governor adjusting spring	1	SU1266C	.15	SU1266B	.15
*U1288	3/16" special plain washer	1	SU1288	.01	SU1288	.01
*U1289	1/4" fiber washer for lever	1	SU1289	.02	SU1289	.02
*U1315	Bracket for speed control used on engines numbered after No. 23042	1	SU1315	.50	SU1315	.50

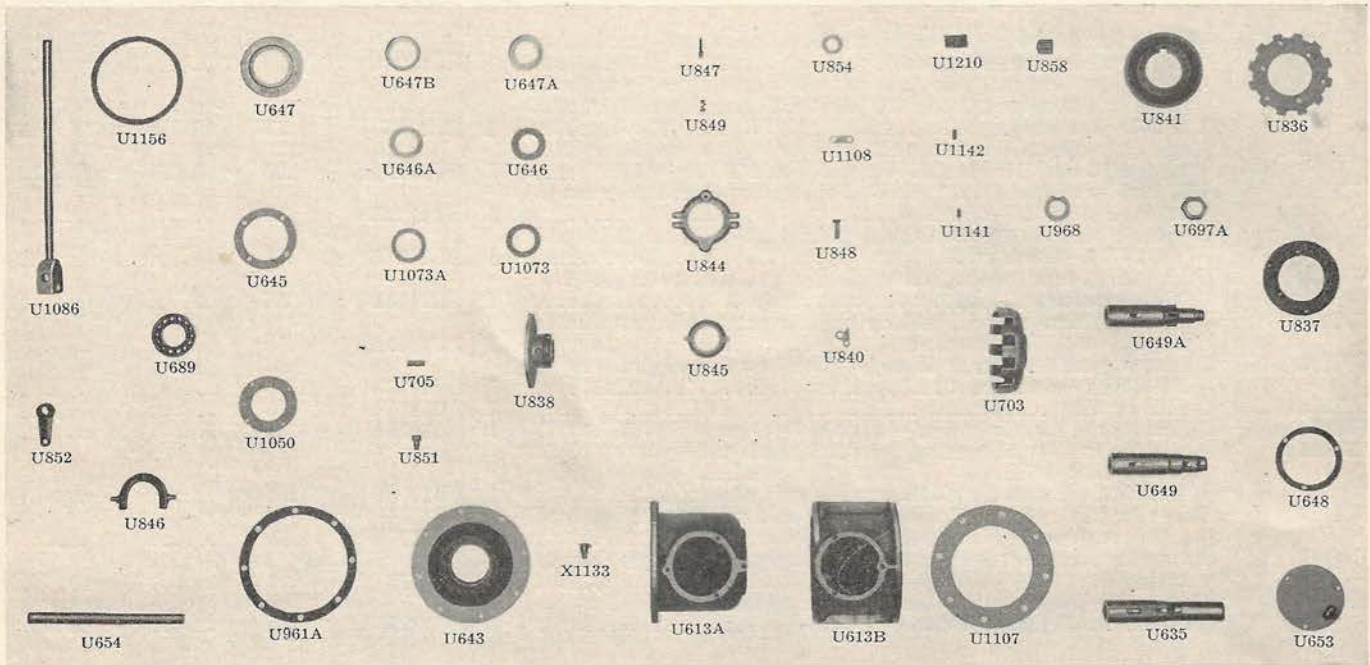
STANDARD PURCHASED MATERIAL

X350	10-24 Wing nut	1	X350	.01	X350	.01
X674	3/16" x 3/8" round head rivet	1	X674	.01	X674	.01

*Parts not illustrated.



CLUTCH PARTS



Part No.	NAME OF PART	No. Used	SU—GU		KU—TU	
			Symbol	Price	Symbol	Price
U613A	Clutch housing for crankshaft drive—obsolete	1	SU613A	9.00	SU613A	9.00
U613B	Clutch housing for gear reduction—obsolete	1	SU613B	7.50	SU613B	7.50
*U613C	Clutch housing for crankshaft drive	1	SU613C	13.00	SU613C	13.00
*U613D	Clutch housing for gear reduction	1	SU613D	14.00	SU613D	14.00
U635	Shaft for clutch, for crankshaft drive for part U613A	1	SU635	5.25	SU635	5.25
U643	Housing for clutch bearing—obsolete	1	SU643	5.70	SU643	5.70
U645	Gasket for outer retainer part U647—obsolete	1	RF645	.10	RF645	.10
*U645A	Gasket for outer retainer part U1050A	1	SU645	.10	SU645	.10
U646	Felt washer 1 3/8" inside diameter for part U647 and B	1	LF646B	.20	LF646B	.20
U646A	Felt washer 1 1/16" inside diameter for part U643	1	FFU646	.20	FFU646	.20
U647	Cast iron outer retainer for housing U613A	1	UF647	1.20	UF647	1.20
*U647	Cast iron outer retainer for housing U613C	1	UF647B	1.35	UF647B	1.35
U647A	Inner felt washer retainer 1 3/16" inside diameter for part U647 and B	1	LF647B	.20	LF647B	.20
U647B	Inner felt washer retainer 1 13/16" inside diameter for part U643	1	FFU647B	.20	FFU647B	.20
U648	Gasket for clutch housing cover—obsolete	1	RF648	.15	RF648	.15
U649	Shaft for clutch for 2, 3 and 8 to 1 gear reduction	1	SU649	9.50	SU649	9.50
U649A	Shaft for clutch for 4 to 1 gear reduction	1	SU649A	13.00	SU649A	13.00
*U649B	Shaft for clutch for 9 to 1 gear reduction	1	SU649B	12.00	SU649B	12.00
*U649C	Shaft for clutch for crank shaft drive for part U613C	1	SU649C	14.00	SU649C	14.00
U653	Clutch housing cover with oiler for brass shifter yoke—obsolete	1	T3474	.75	T3474	.75
*U653A	Clutch housing cover for ball bearing shifter yoke	1	SU653A	.25	SU653A	.25
U654	Clutch shifter shaft for brass shifter yoke	1	SU654	.30	SU654	.30
*U654B	Clutch shifter shaft for ball bearing shifter yoke	1	UF654B	.50	UF654B	.50
U654A	Clutch shifter shaft assembled with parts 654, 852 and X559 for brass shifter yoke	1	T3528	3.25	T3528	3.25
*U654C	Clutch shifter shaft assembled with parts 654, 852 and X559 for ball bearing shifter yoke	1	T3880	4.50	T3880	4.50
U689	ND7208 ball bearing for clutch shaft	1	SU689B	5.40	SU689B	5.40
U697A	Nut for crankshaft	1	SU697	.50	SU697	.50
U703	Clutch driver and hub assembled	1	T3529	7.50	T3529	7.50
U705	5/16" x 5/16" x 1 3/16" straight key for clutch hub	1	SU705	.20	SU705	.20
U836	Steel clutch disc	1	RF836	1.15	RF836	1.15
*U836A	Steel clutch disc assembled with parts 836, 837 and X708	1	105RU	3.50	105RU	3.50
U837	Facing for clutch disc	2	RF837	1.00	RF837	1.00
U838	Clutch hub	1	SU838	4.50	SU838	4.50
U840	Clutch finger	2	FFU840	.40	FFU840	.40
U841	Clutch pressure plate	1	SU841	1.75	SU841	1.75
U844	Adjusting ring	1	SU844B	2.00	SU844B	2.00
U845	Sleeve for clutch with brass clutch shifter collar	1	SU845	3.50	SU845	3.50
*U845A	Sleeve for clutch with ball bearing shifter yoke	1	SU845A	2.75	SU845A	2.75
U846	Brass clutch shifter yoke	1	SU846	1.65	SU846	1.65
*U846A	Ball bearing clutch shifter yoke	1	SU846A	2.00	SU846A	2.00
*U846B	Ball bearing clutch shifter yoke and sleeve assembled, parts U845A and U846A	1	T4176	5.75	T4176	5.75

*Parts not illustrated.

Always Give Model and Serial Number of Engine and Outfit When Ordering Repairs.



CLUTCH PARTS—Continued

Part No.	NAME OF PART	No. Used	SU—GU		KU—TU	
			Symbol	Price	Symbol	Price
U847	Lock pin for adjusting ring	1	FFU847A	.35	FFU847A	.35
U848	Clutch finger pin	2	RF848	.20	RF848	.20
U849	Spring for lock pin	1	RF849	.08	RF849	.08
U851	Special set screw for clutch hub	1	RF851	.25	RF851	.25
U852	Yoke lever for brass shifter yoke—obsolete	2	SU852	1.00	SU852	1.00
*U852A	Yoke lever for ball bearing shifting yoke	2	UF852	1.25	UF852	1.25
U854	Fiber thrust washer	1	RF854	.10	RF854	.10
U858	No. RA-133 Hyatt roller pilot bearing	1	SU858	1.25	SU858	1.25
U961A	Gasket for clutch housing to gear reduction housing	1	UF961A	.10	UF961A	.10
U968	Lock washer for nut on crankshaft	1	UF968	.10	UF968	.10
U1050	Bearing retainer for clutch with gear reduction—obsolete	1	RU1050	.45	RU1050	.45
*U1050A	Bearing retainer for clutch with gear reduction	1	SU1050	.60	SU1050	.60
U1073	Outer felt washer retainer 1 ⁹ / ₁₆ " inside diameter for part U647 and B	1	UF1073	.20	UF1073	.20
U1073A	Outer felt washer retainer 1 ¹³ / ₁₆ " inside diameter for part U643	1	FFU1073	.20	FFU1073	.20
U1086	Clutch shifter lever	1	T3527	3.00	T3527	3.00
U1107	Gasket for clutch housing to cylinder	1	UF1107	.15	UF1107	.15
U1108	Link for clutch finger	4	FFU1108	.10	FFU1108	.10
U1141	Pin for clutch finger link—short	2	FFU1141	.10	FFU1141	.10
U1142	Pin for clutch finger link—long	2	FFU1142	.10	FFU1142	.10
*U1148	Spacer for clutch shaft	1	UF1148A	.50	UF1148A	.50
U1156	Centering ring for clutch housing to cylinder	1	SU1156	3.00	SU1156	3.00
U1210	3/4" diameter 1 ⁵ / ₈ " long oil wick for pilot bearing	1	SU1210	.10	SU1210	.10
*	Clutch hub assembled with disc and adjusting parts for clutch with brass shifting collar part U836, 837, 838, 840, 841, 844, 845, 847, 848, 849, 1108, 1141 and 1142	1	T3526	17.75	T3526	17.75
*	Clutch hub assembled with disc and adjusting parts for clutch with ball bearing shifting collar, parts U836, 837, 838, 840, 841, 844, 846B, 847, 848, 849, 1008, 1141 and 1142	1	T4177	20.75	T4177	20.75

STANDARD PURCHASED MATERIAL

X41	1/4" pipe plug for part U613A	2	X41	.04	X41	.04
X204	10-24 x 1/2" round head machine screw for part U1050	4	X204	.01	X204	.01
X260	3/32" x 5/8" cotter pin for clutch finger pin	2	X260	.01	X260	.01
X412	1/4" lock washer	7	X412	.01	X412	.01
X414	3/8" lock washer	12	X414	.01	X414	.01
X428	1/4" x 1/2" hex head cap screw for part U653	3	X428	.03	X428	.03
X429	1/4" x 3/4" hex head cap screw for part U647	4	X429	.04	X429	.04
X449	3/8" x 1" hex head cap screw for clutch housing to cylinder	8	X449	.04	X449	.04
X450	3/8" x 1 1/4" hex head cap screw for gear reduction housing and clutch housing to cylinder	8	X450	.05	X450	.05
X473	1/2" x 1 1/4" hex head cap screw for part U1086	1	X473	.08	X473	.08
X559	5/16" x 1 1/2" drive pin for parts 654 and 852	2	X559	.06	X559	.06
X708	No. 738—3/16" x 1/16" countersunk head tubular rivet for parts 836 and 837	6	X708	.01	X708	.01
X973	No. C Woodruff key for clutch shaft	1	X973	.05	X973	.05
X1133	No. S400 straight oiler	2	X1133	.20	X1133	.20

*Parts not illustrated.



POWER GEAR COMBINATIONS

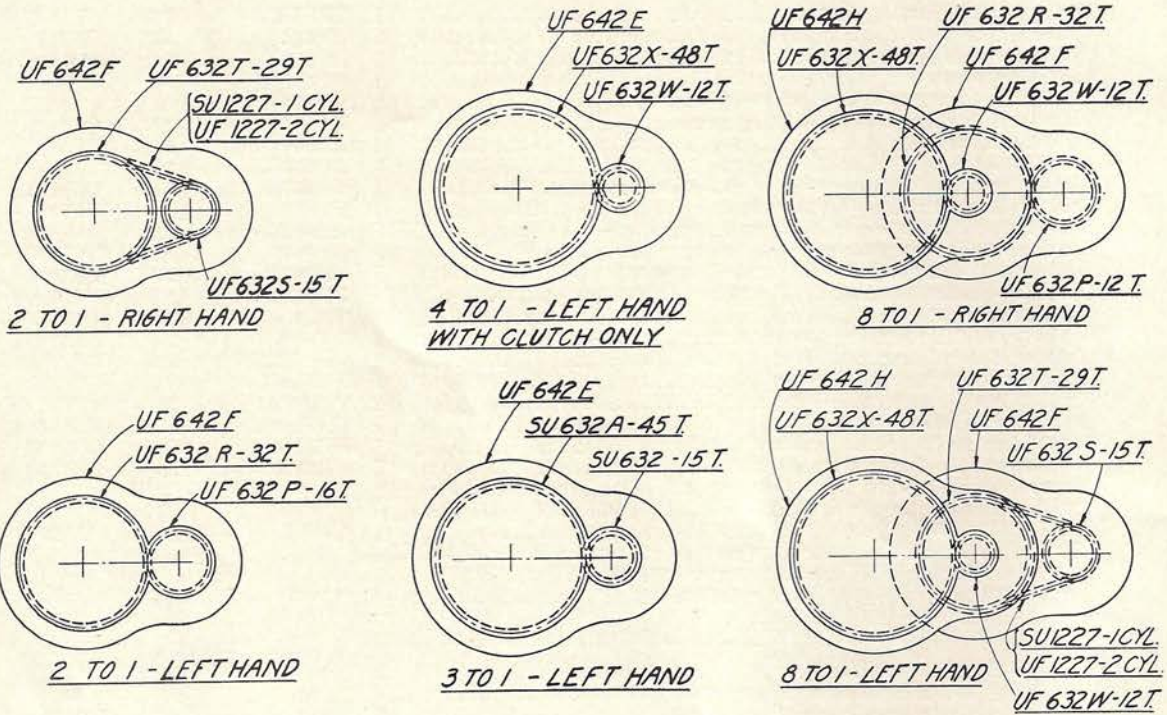


Fig. B1100

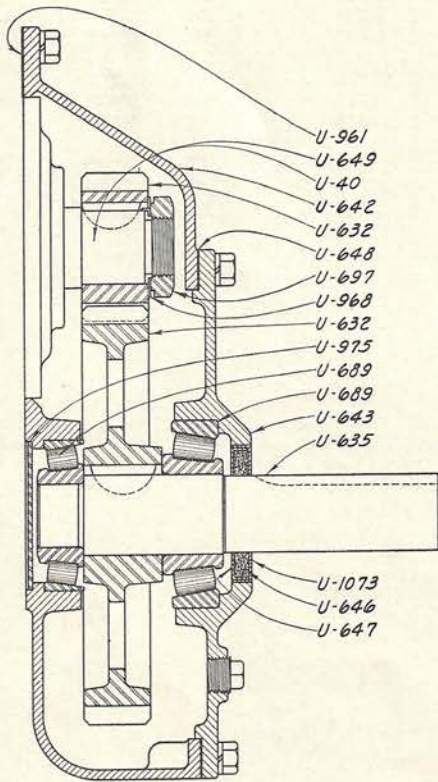


Fig. B 1096

Gear reduction, left hand, use with or without clutch for one and two cylinder engines.

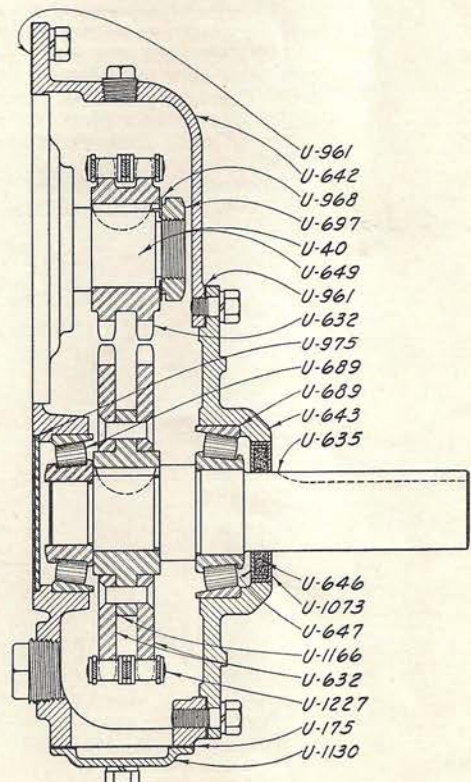


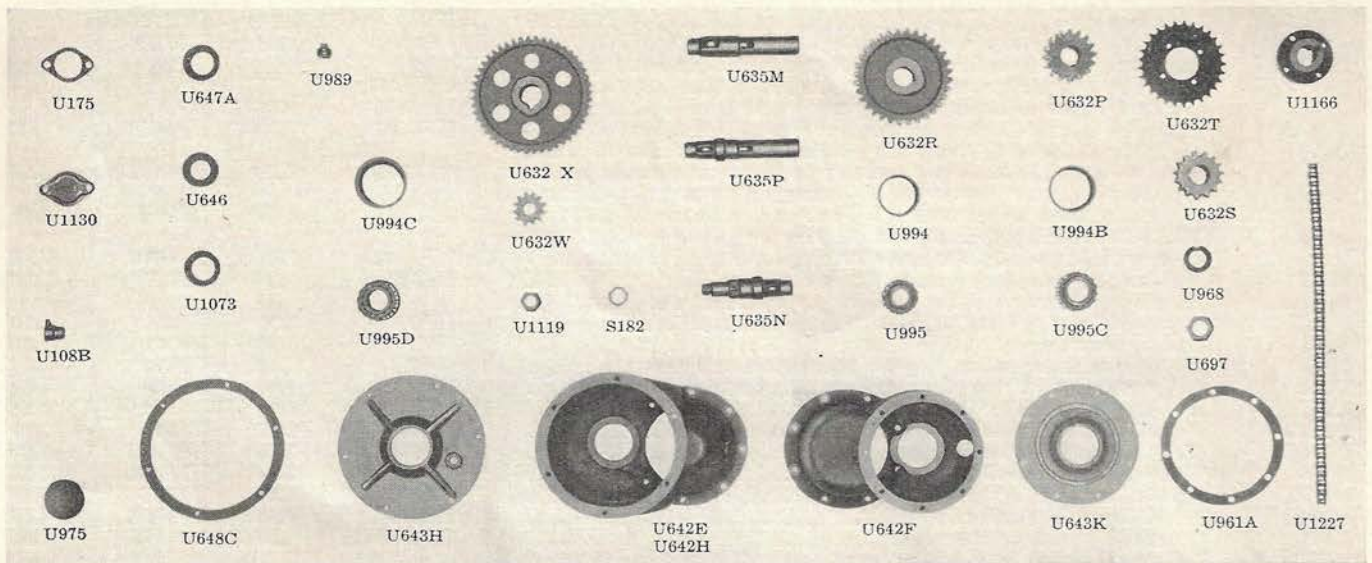
Fig. B 1097

Chain reduction, right hand, use with or without clutch for one and two cylinder engines.

Always Give Model and Serial Number of Engine and Outfit When Ordering Repairs



POWER TAKE-OFF PARTS
REFER TO PAGE 14 FOR POWER GEAR COMBINATIONS



PART NO.	NAME OF PART	SU-GU		Price	KU-TU	
		No. Used	Symbol		Symbol	Price
U108B	Oiler for gear reduction housings, for 3 to 1, 4 to 1 and 8 to 1 reductions	1	UF108B	.20	UF108B	.20
U175	Gasket for hand hole cover	1	FFU175	.10	FFU175	.10
S182	Washer for power shaft part U635N and Y	1	12S182	.05	12S182	.05
U632	15T power pinion for 3 to 1 reduction, left hand rotation	1	SU632	5.00	SU632	5.00
U632B	15T harden power pinion for 3 to 1 reduction, left hand rotation	1	SU1046	7.00	SU1046	7.00
U632A	45T power gear for 3 to 1 reduction, left hand rotation	1	SU632A	14.00	SU632A	14.00
U632C	45T harden power gear for 3 to 1 reduction, left hand rotation	1	SU1046A	18.00	SU1046A	18.00
U632P	16T power pinion for reduction 2 to 1 left hand and 8 to 1 right hand rotation	1	UF632P	5.50	UF632P	5.50
U632D	16T harden power pinion for 2 to 1 reduction, left hand rotation	1	UF1046D	8.00	UF1046D	8.00
U632R	32T power gear for reduction 2 to 1 left hand and 8 to 1 right hand rotation	1	UF632R	10.00	UF632R	10.00
U632E	32T harden power gear for 2 to 1 reduction, left hand rotation	1	UF1046E	15.00	UF1046E	15.00
U632S	15T power sprocket for reduction, 2 to 1 right hand and 8 to 1 left hand rotation	1	UF632S	4.25	UF632S	4.25
U632T	29T power sprocket for reduction 2 to 1 right hand and 8 to 1 left hand rotation	1	UF632T	4.50	UF632T	4.50
U632W	12T power pinion for reductions 4 to 1 left hand and 8 to 1 right or left hand	1	UF632W	4.25	UF632W	4.25
U632X	48T power gear for reductions 4 to 1 left hand and 8 to 1 right or left hand	1	UF632X	16.00	UF632X	16.00
U635M	Power take off shaft for reductions 3 to 1, 4 to 1 and outer shaft for 8 to 1	1	UF635M	6.75	UF635M	6.75
U635N	Power take off shaft for eight to one reduction—obsolete—use parts U635Y and U1148C	1	UF635N	11.50	UF635N	11.50
*U635B	Power take off shaft for 2 to 1 reduction, right or left hand rotation	1	HU635B	4.00	HU635B	4.00
U635P	Power take off shaft for 2 to 1 reduction, right or left hand rotation—obsolete—use parts U635B and U1148B	1	UF635P	6.00	UF635P	6.00
*U635Y	Inner power take off shaft for 8 to 1 reduction, right or left hand rotation	1	UF635Y	12.00	UF635Y	12.00
U642E	Gear reduction housing for 4 to 1 and 3 to 1 reduction left hand rotation	1	UF642E	18.50	UF642E	18.50
U642F	Gear reduction housing for 2 to 1 and inner housing for 8 to 1 reduction—obsolete	1	UF642F	14.50	UF642F	14.50
*U642R	Gear reduction housing for 2 to 1 and inner housing for 8 to 1 reduction	1	UF642R	12.00	UF642R	12.00
U642H	Outer gear reduction housing for 8 to 1 reduction, right or left hand rotation	1	UF642H	19.00	UF642H	19.00
U643H	Cover for gear reduction housing part U642E and H	1	UF643H	10.00	UF643H	10.00
U643K	Cover for gear reduction housing for 2 to 1 and inner housing for 8 to 1 reduction—obsolete	1	UF643K	5.60	UF643K	5.60
*U643Q	Cover for gear reduction housing for 2 to 1 reduction	1	UF643Q	4.85	UF643Q	4.85
*U643R	Inner cover for gear reduction housing for 8 to 1 reduction	1	UF643R	5.35	UF643R	5.35
U646	Felt washer	1	LF646B	.20	LF646B	.20

*Parts not illustrated.

Always Give Model and Serial Number of Engine and Outfit when Ordering Repairs



POWER TAKE OFF PARTS—Continued

PART NO.	NAME OF PART	SU-GU		Price	KU-TU	
		No. Used	Symbol		Symbol	Price
*U646A	Felt washer for inner gear reduction housing cover for 8 to 1 reduction only	1	FFU646A	.20	FFU646A	.20
U647A	Inner felt washer retainer	1	LF647B	.20	LF647B	.20
*U647B	Inner felt washer retainer for inner gear reduction housing cover for 8 to 1 reduction only	1	FFU647A	.20	FFU647A	.20
U648C	Gasket for gear reduction housing cover part U643H	4	UF648C	.15	UF648C	.15
*U648F	Gasket for gear reduction housing cover part U643Q and R	4	UF648F	.20	UF648F	.20
*U689A	No. 319-313 inner timken roller bearing on power take-off shaft, one used on 2, 3 and 4 to 1 and two on 8 to 1 reduction	..	UF689E	5.20	UF689E	5.20
*U689B	No. 344-333 outer timken roller bearing on power take-off shaft for 2 to 1 and for inner housing for 8 to 1 reduction	1	UF689F	5.69	UF689F	5.69
*U689C	No. 418-414 outer timken roller bearing on power take-off shaft for 3 and 4 to 1 and for outer housing for 8 to 1 reduction	1	UF689C	7.48	UF689C	7.48
U697	Nut for gear or sprocket on crankshaft	1	UF697	.35	UF697	.35
U961A	Gasket for gear reduction housing to cylinder and cover, for parts U643K, U642F, R, H, and E	4	UF961A	.10	UF961A	.10
U968	Lock washer for nut on crankshaft	1	UF968	.10	UF968	.10
U975	2 3/4" diameter expansion plug for gear reduction housing	1	UF975	.15	UF975	.15
U989	3/4" pipe plug with vent for gear reduction housing—obsolete	1	UF989	.15	UF989	.15
U994	No. 313 cup for roller bearing	1	UF994A	1.95	UF994A	1.95
U994B	No. 333 cup for roller bearing	1	UF994	2.11	UF994	2.11
U994C	No. 414 cup for roller bearing	1	UF994B	2.60	UF994B	2.60
U995	No. 319 cone and rollers	1	UF995A	3.25	UF995A	3.25
U995C	No. 344 cone and rollers	1	UF995	3.58	UF995	3.58
U995D	No. 418 cone and rollers	1	UF995B	4.88	UF995B	4.88
U1073	Outer felt washer retainer	1	UF1073	.20	UF1073	.20
*U1073A	Outer felt washer retainer for inner gear reduction housing cover for 8 to 1 gear reduction only	1	FFU1073A	.20	FFU1073A	.20
U1119	Nut for power shaft part U635N and Y	1	FFU1119	.45	FFU1119	.45
U1130	Hand hole cover for gear reduction housing	1	UF1130	.10	UF1130	.10
*U1148B	Spacer for power take-off shaft part U635B	1	UF1148B	.50	UF1148B	.50
*U1148C	Spacer for power take-off shaft part U635Y	1	UF1148C	1.75	UF1148C	1.75
U1166	Hub for sprocket part U632T	1	UF1166	3.50	UF1166	3.50
U1227	No. 149 diamond single roll chain 38 links	1	SU1227	3.25	SU1227	3.25
*	Gear reduction assembly complete—2 to 1 right hand rotation, 600 R.P.M.	1	T4267	50.00	T4267	50.00
*	Gear reduction assembly complete—2 to 1 left hand rotation, 600 R.P.M.	1	T4268	50.00	T4268	50.00
*	Gear reduction assembly complete—2 to 1 left hand rotation with harden gears 600 R.P.M.	1	T4282	59.00	T4282	59.00
*	Gear reduction assembly complete—3 to 1 left hand rotation, 400 R.P.M.	1	T3751	70.00	T3751	70.00
*	Gear reduction assembly complete—3 to 1 left hand rotation with harden gears, 400 R.P.M.	1	T3979	78.00	T3979	78.00
*	Gear reduction assembly complete 4 to 1 left hand rotation 300 R.P.M.	1	T3471	72.00	T3471	72.00
*	Gear reduction assembly complete 8 to 1 left hand rotation 150 R.P.M.	1	T4270	130.00	T4270	130.00
*	Gear reduction assembly complete 8 to 1 right hand rotation, 150 R.P.M.	1	T4269	130.00	T4269	130.00

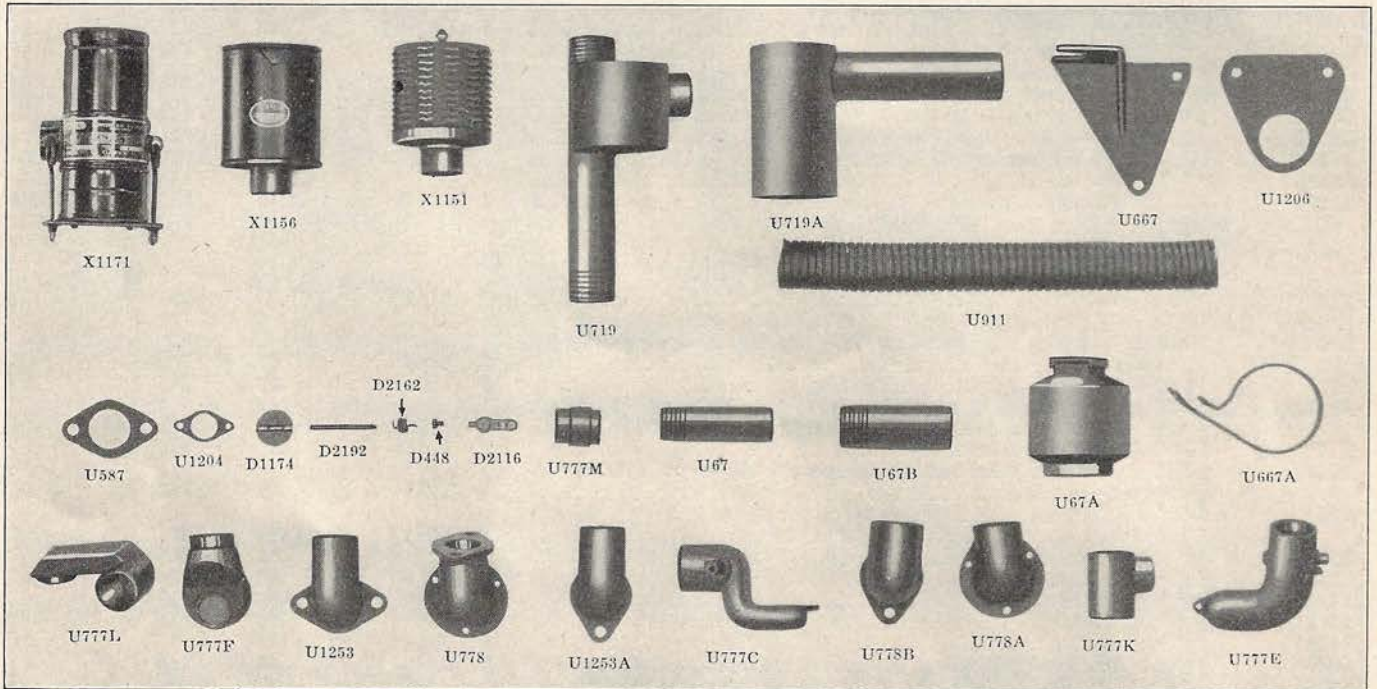
STANDARD PURCHASED MATERIAL

X42	3/8" pipe plug for oil drain	2	X42	.04	X42	.04
X45	1/4" pipe plug	1	X45	.10	X45	.10
X69	3/4" x 1" bushing for gear reduction housing	1	X69	.15	X69	.15
X93	3/4" street ell for gear reduction housing—obsolete	1	X93	.30	X93	.30
X272	1/8" x 1 3/4" cotter pin for part U635N and U635Y	1	X272	.02	X272	.02
X414	3/8" lockwasher	20	X414	.01	X414	.01
X477	3/8" x 3/4" hex head cap screw, 2 used for part U1130, 6 for U643H and 8 for U643K	..	X447	.04	X447	.04
X449	3/8" x 1" hex head cap screw for 2 to 1 gear reduction housing to cylinder	15	X449	.04	X449	.04
X450	3/8" x 1 1/4" hex head cap screw for 8 to 1 gear reduction housing	8	X450	.05	X450	.05
X687A	5/16" x 3/4" countersunk head rivet for parts U632T and U1166	4	X687A	.02	X687A	.02
X967	No. E Woodruff key for part U635M	1	X967	.05	X967	.05
X973	No. C Woodruff key for part U635N, U635P, U635B and U635Y	2	X973	.05	X973	.05

*Parts not illustrated.



MUFFLER, AIR CLEANER AND AIR HEATER PARTS



PART NO.	NAME OF PART	No. Used	SU-GU Symbol	Price	KU-TU Symbol	Price
	Model HR 20L Zenith carburetor used on engines numbered previous to 17217 and model HF3½N after 17216.					
U67	Muffler with 1" pipe thread, used on engines numbered previous to engine Nos. SU, KU 17702 and GU, TU 17414	1	T3867	.50	T3867	.50
U67A	Muffler for engine equipped with air heater	1	T3301	1.25	T3301	1.25
U67B	Muffler with 1¼" pipe thread, used on engines numbered after engine Nos. SU, KU 17701 and GU, TU 17413	1	T4070	.75	T4070	.75
U578	Gasket for air cleaner flange	1	AF578	.05	AF578	.05
U667	Bracket for Pomona air cleaner for engine with HR20L Zenith carburetor and less housing—obsolete	1	SU667	.75	SU667	.75
U667A	Bracket for Pomona air cleaner for engine with housing less doors	1	SU667B	.25	SU667B	.25
U719	Air heater for HR20L Zenith carburetor—obsolete	1	T3573	5.25	T3573	5.25
U719A	Air heater for HF3½N Zenith carburetor	1	T4173	4.75	T4173	4.75
U777F	Carburetor elbow for air heater and Pomona air cleaner for HF3½N Zenith carburetor	1	SU777F	3.00	SU777F	3.00
U777C	Carburetor elbow for air heater and Pomona air cleaner for HR20L Zenith carburetor—obsolete	1	SU777C	3.00	SU777C	3.00
U777K	Carburetor elbow for AC and Protectomotor air cleaner for HF 3½N Zenith carburetor engine less housing	1	SU777K	2.00	SU777K	2.00
U777E	Carburetor elbow for AC and Protectomotor air cleaner for HR20L Zenith carburetor, hopper or radiator cooled engine with housing—obsolete	1	SU777E	3.00	SU777E	3.00
U777L	Carburetor elbow for AC and Protectomotor air cleaner for HF3½N Zenith carburetor, hopper or radiator cooled engine with housing	1	SU777L	3.00	SU777L	3.00
U777M	Spacer for Pomona air cleaner for HF3½N Zenith carburetor, hopper or radiator cooled with housing less doors	1	SU777M	2.00	SU777M	2.00
U778	Hood for Pomona air cleaner, hopper or radiator cooled engine with or without housing	1	UF778	2.75	UF778	2.75
U778A	Hood for Pomona air cleaner, hopper or radiator cooled engine with housing less doors	1	UF778A	3.00	UF778A	3.00
U778B	Outside elbow for AC and Protectomotor air cleaner for HR20L Zenith carburetor, engine hopper or radiator cooled with housing—obsolete	1	SU778	2.50	SU778	2.50
U911	1½" inside diameter x 12" long tubing for air heater, HR20L Zenith carburetor	1	SU911	.55	SU911	.55
U1204	Gasket for carburetor flange and elbow for HR20L Zenith carburetor—obsolete	1	SU1204	.10	SU1204	.10
U1206	Brace for air heater for HR20L Zenith carburetor—obsolete	1	SU1206	.50	SU1206	.50
U1253	Inside elbow for air cleaner, engine with housing	1	SU1253	1.50	SU1253	1.50
U1253A	Inside elbow for air cleaner, engine less housing	1	SU1253A	1.75	SU1253A	1.75

*Parts not illustrated.

Always Give Model and Serial Number of Engine and Outfit When Ordering Repairs



MUFFLER, AIR HEATER AND AIR CLEANER PARTS—Continued

PART NO.	NAME OF PART	No. Used	SU-GU		KU-TU	
			Symbol	Price	Symbol	Price
*U1254	Gasket for hood and Pomona air cleaner	1	UF1254	.15	UF1254	.15
D448	Air shutter screw—obsolete	1	D448	.06	D448	.06
D1174	Air shutter—obsolete	1	D1174	.25	D1174	.25
D2116	Air shutter—lever—obsolete	1	D2116	.30	D2116	.30
D2162	Air shutter—spring—obsolete	1	D2162	.15	D2162	.15
D2192	Air shutter—shaft—obsolete	1	D2192	.15	D2192	.15
X1151	No. C-O Protectomotor air cleaner	1	X1151	5.00	X1151	5.00
X1156	AC air cleaner	1	X1156	2.00	X1156	2.00
X1171	No. 790 Pomona air cleaner	1	X1171	10.75	X1171	10.75

STANDARD PURCHASED MATERIAL

X141	1" x 2" heater pipe nipple—obsolete	1	X141	.25	X141	.25
X151	1 1/4" x 2 1/2" short nipple for air heater for HF3 1/2 N carburetor	1	X151	.15	X151	.15
X202	10-24 x 3/8" round head machine screw for attaching air heater to carburetor	2	X202	.01	X202	.01
X215	14-20 x 3/4" round head machine screw	1	X215	.02	X215	.02
X233A	10-32 x 1/2" flat head machine screw for carburetor elbow to HR20L Zenith carburetor—obsolete	1	X233A	.01	X233A	.01
X238	14-20 x 3/4" filister head screw	3	X238	.01	X238	.01
X243	10-32 x 1 1/8" flat head machine screw for elbow to HR20L carburetor—obsolete	1	X243	.01	X243	.01
X254	6-32" x 3/8" round head machine screw for elbow to HF3 1/2 N carburetor	2	X254	.01	X254	.01
X274	1/8" x 2 1/2" cotter pin for heater tubing	2	X274	.02	X274	.02
X369	3/8" hex nut	2	X369	.03	X369	.03
X399	1/4" lock washer	3	X399	.02	X399	.02
X411	3/16" lock washer	2	X411	.01	X411	.01
X414	3/8" lock washer	2	X414	.01	X414	.01
X449	3/8" x 1" hex head cap screw	2	X449	.04	X449	.04
X875	1 1/4" x 1" malleable iron elbow for heater pipe for HR20L carburetor—obsolete	1	X875	.60	X875	.60
X893	1 1/4" tee for air heater for HF3 1/2 N carburetor	1	X893	.40	X893	.40
X1024	1 3/4" hose clamp with screw for Protectomotor air cleaner with HR20L carburetor—obsolete	1	X1024	.15	X1024	.15
X1026	1 1/2" hose clamp with screw for AC and Protectomotor air cleaners for HR20L carburetor—obsolete	1	X1026	.10	X1026	.10
	1 1/2" inside diameter x 2 1/2" long rubber hose for Pomona air cleaner	1		.10		.10
	1 1/2" inside diameter x 3 3/4" long rubber hose for Pomona air cleaner with HR20L	1		.15		.15

GAS AND COMBINATION GAS MIXERS PARTS

SG2	Gas mixer body	1	2SG2C	4.50	2SG2C	4.50
SG3	Gas mixer valve with gasket	1	2SG3B	.40	2SG3B	.40
SG4A	Gas mixer valve stem	1	2SG4A	.25	2SG4A	.25
SG5A	Gas mixer valve spring	1	2SG5A	.10	2SG5A	.10
U316	Butterfly valve shaft lever	1	UF316	.35	UF316	.35
U317	Butterfly valve shaft	1	UF317	.20	UF317	.20
U318	Butterfly valve	1	UF318	.30	UF318	.30
U447C	Governor rod for gas mixer	1	SU447C	.30	SU447C	.30
S535	Throttle spring for combination gas mixer	1	3S535	.35	3S535	.35
U541	5/16" x 1 1/8" stud for gas mixer to cylinder	2	AF541	.10	AF541	.10
U578	Gasket for gas mixer to cylinder	1	NF578	.05	NF578	.05
U739	Bysee gas mixer, 1" SAE flange	1	UF739	3.25	UF739	3.25
U739A	Gas mixer for combination gas mixer	1	KU739	4.75	KU739	4.75
U780	Reducing flange for Bysee gas mixer	1	SU780	1.75	SU780	1.75
U1231	Sleeve for combination gas and gasoline carburetor	1	KU1231	1.00	KU1231	1.00

STANDARD PURCHASED MATERIAL

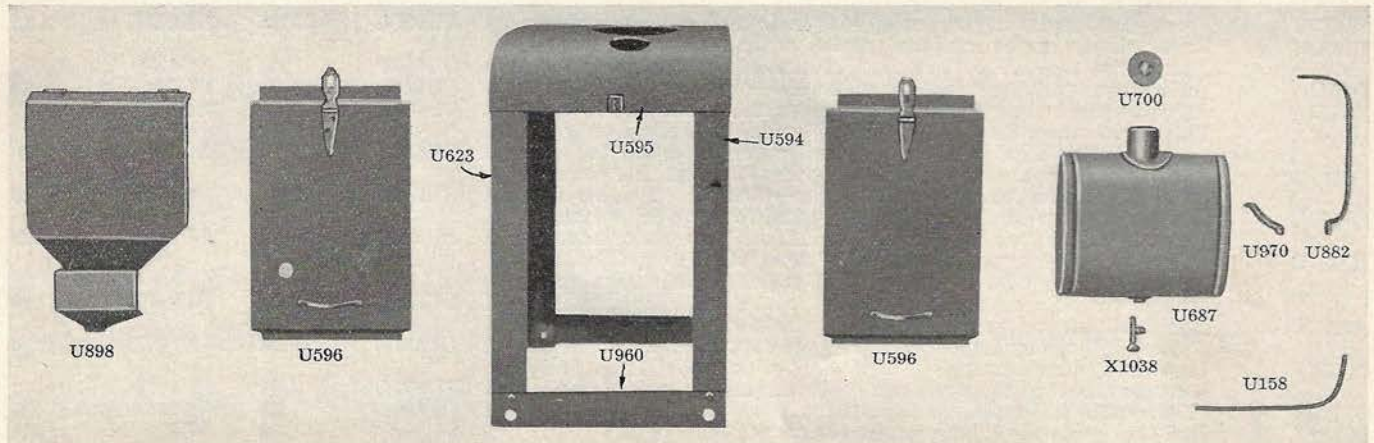
X34	3/4" index cock for combination gas mixer	1	X34	3.00	X34	3.00
X92	1/2" street ell for gas mixer	1	X92	.18	X92	.18
X130	3/4" close nipple for combination gas mixer	1	X130	.14	X130	.14
X181	1/2" close nipple for gas mixer	1	X181	.08	X181	.08
X204	10-24 x 1/2" round head machine screw for combination gas mixer cover to body	4	X204	.01	X204	.01
X231	8-32 x 3/8" round head machine screw for combination gas mixer	2	X231	.01	X231	.01
X255	6-32 x 1/4" round head machine screw for gas mixer	2	X255	.01	X255	.01
X301	1/4" x 1/2" set screw for combination gas mixer	2	X301	.02	X301	.02
X411	3/16" lock washer for combination gas mixer	4	X411	.01	X411	.01
X484	No. 00 x 5/8" taper pin for butterfly valve lever	1	X484	.02	X484	.02
X983	1/2" Lukenheimer vertical ball check	2	X983	3.00	X983	3.00

*Parts not illustrated.

Always Give Model and Serial Number of Engine and Outfit When Ordering Repairs



FAN, RADIATOR, FUEL TANK AND HOUSING PARTS



PART NO.	NAME OF PART	No. Used	SU-GU		Price	KU-TU		Price
			Symbol	Price		Symbol	Price	
U158	5/16" x 15" fuel feed pipe, hopper or radiator cooled obsolete	1	SU158	.25	SU158	.25		
U158C	5/16" x 18 3/4" fuel feed pipe hopper or radiator cooled used on engines numbered after No. 23042	1	SU158C	.30	SU158C	.30		
*U417	Fan complete, used on engines 1200 R.P.M. crankshaft speed	1	UF417D	5.50	UF417D	5.50		
*U417A	Fan complete, used on engines above 1200 R.P.M. crankshaft speed	1	UF417E	10.50	UF417E	10.50		
*U450	Plain washer for fan shaft	2	RF450	.15	RF450	.15		
*U491	1 1/4" x 6 3/4" lower radiator hose	1	SU491	.25	SU491	.25		
*U492	1 1/4" x 6" upper radiator hose	1	SU492	.20	SU492	.20		
*U493	Fan belt	1	UF493	1.00	UF493	1.00		
*U552	Radiator with cap U564—top hose connection in center of radiator—obsolete	1	UF552	21.50	UF552	21.50		
*U552A	Radiator with cap U564—top hose connection not in center of radiator	1	UF552C	21.50	UF552C	21.50		
*U564	Radiator cap, 2 5/8" threads for Perfex and Young radiator	1	UF564	1.20	UF564	1.20		
*U564A	Radiator cap, 2 5/16" threads for Modine radiator	1	UF564A	.60	UF564A	.60		
*U584	Radiator support, left hand or carburetor side—obsolete	1	SU584	1.20	SU584	1.20		
*U584A	Radiator support, left hand or carburetor side	1	SU584E	1.20	SU584E	1.20		
*U592	Handle for housing door—obsolete	1	AF592A	.10	AF592A	.10		
U594	Rear sheet, engine hopper cooled crankshaft drive with or without clutch and with vertical housing supports—obsolete	1	SU594	2.45	SU594A	2.60		
U594A	Rear sheet, engine hopper cooled with gear reduction less clutch and with vertical housing supports—obsolete	1			SU594B	2.60		
U594B	Rear sheet, engine radiator cooled crankshaft drive with or without clutch and with vertical housing supports—obsolete	1			SU594C	2.60		
U594C	Rear sheet, engine radiator cooled, with gear reduction less clutch and with vertical housing supports—obsolete	1			SU594D	2.60		
*U594D	Rear sheet, engine radiator or hopper cooled with horizontal housing supports—obsolete	1	SU594L	2.60	SU594L	2.60		
*U594E	Rear sheet, engine radiator or hopper cooled with horizontal housing supports	1	SU594Q	2.60	SU594Q	2.60		
*U594F	Rear sheet, engine radiator cooled less housing	1	UF594V	2.60	UF594V	2.60		
U595	Top sheet, engine hopper cooled with vertical housing supports—obsolete	1	SU595	2.30	SU595	2.30		
U595A	Top sheet, engine radiator cooled with vertical housing supports—obsolete	1	SU595A	2.30	SU595A	2.30		
*U595B	Top sheet, engine radiator cooled with kerosene carburetor and horizontal housing supports	1	SU595K	2.80	SU595K	2.80		
*U595C	Top sheet, engine hopper cooled with kerosene carburetor and horizontal housing supports	1	SU595J	2.80	SU595J	2.80		
*U595D	Top sheet, engine hopper cooled with horizontal housing supports	1	SU595H	2.30	SU595H	2.30		
*U595E	Top sheet, engine radiator cooled with horizontal housing supports	1	SU595G	2.30	SU595G	2.30		
U596	Housing door with parts 592 and X1022, engine hopper cooled—obsolete	1	SU596	2.00	SU596	2.00		
U596A	Housing door with parts 592 and X1022, engine radiator cooled—obsolete	1	SU596A	2.00	SU596A	2.00		
*U596B	Housing door with parts X1022, engine radiator or hopper cooled	1	SU596B	2.00	SU596B	2.00		
U623	Front sheet, engine hopper cooled with vertical housing supports—obsolete	1	SU623	2.25	SU623	2.25		
U623A	Front sheet, engine radiator cooled with vertical housing supports—obsolete	1	SU623A	.60	SU623A	.60		

*Parts not illustrated.

Always Give Model and Serial Number of Engine and Outfit When Ordering Repairs



FAN, RADIATOR, FUEL TANK AND HOUSING PARTS—Continued

PART NO.	NAME OF PART	No. Used	SU-GU		KU-TU	
			Symbol	Price	Symbol	Price
*U623B	Front sheet, engine hopper cooled with horizontal housing supports	1	SU623G	2.25	SU623G	2.25
*U623C	Front sheet, engine radiator cooled with horizontal housing supports	1	SU623F	.60	SU623F	.60
U624	Radiator support, right hand or plain side—obsolete	1	SU624	1.20	SU624	1.20
*U624A	Radiator support, right hand or plain side	1	SU624E	1.20	SU624E	1.20
U687	Fuel tank, dimensions, 10" high, 3 1/2" wide, 11" long, filler connection 1 3/4" high for hopper cooled engine—obsolete	1	SU687	5.00	SU687	5.00
*U687B	Fuel tank, dimensions, 10" high, 3 1/2" wide, 11" long, filler connection 4" high for radiator cooled engine—obsolete	1	SU687B	6.00	SU687B	6.00
*U687C	Fuel tank, dimensions, 10" high, 3 1/2" wide, 14" long, filler connection 1 3/4" high for hopper cooled engine with kerosene carburetor	1	SU687M	6.00	SU687M	6.00
*U687D	Fuel tank, dimensions 5 7/8" high, 8 3/4" wide, 16 5/8" long, filler connection, 1" high for radiator cooled engine with kerosene carburetor	1	SU687E	5.00	SU687E	5.00
U687E	Fuel tank, dimensions, 10" high, 3 1/2" wide, 14" long, filler connection 1 3/4" high for hopper cooled engine	1	UF687D	6.00	UF687D	6.00
*U687F	Fuel tank, dimensions, 5 7/8" high, 8 3/4" wide, 16 5/8" long, filler, connection 1" high for radiator cooled engine	1	SU687D	5.00	SU687D	5.00
U700A	Filler cap for fuel tank	1	UF700A	.25	UF700A	.25
U882	Fuel tank strap 15 3/8" long, engine hopper cooled—obsolete	2	SU882	.20	SU882	.20
U882A	Fuel tank strap 17 11/16" long, engine radiator cooled—obsolete	2	SU882A	.20	SU882A	.20
*U882B	Fuel tank strap 8 5/8" long, engine radiator cooled	4	AF806G	.60	AF806G	.60
*U882C	Fuel tank strap 16 15/16" long, engine hopper cooled	2	SU882C	.20	SU882C	.20
*U878	Magneto cover for B1 Wico magneto	1	SU878A	3.00	SU878A	3.00
U898	Cover for hopper and fuel filler cap—obsolete	1	SU898	1.00	SU898	1.00
*U898A	Cover for hopper	1	T3868	1.00	T3868	1.00
U960	Bar for housing door—13 1/4" long, engine hopper cooled—obsolete	2	SU960	.70	SU960	.70
U960A	Bar for housing door—15 3/8" long, engine radiator cooled—obsolete	2	SU960A	.70	SU960A	.70
*U960B	Bar for housing door—4 11/16" long, engine radiator cooled less housing	2	SU960F	.50	SU960F	.50
*U960C	Bar for housing door—15 3/8" long, engine radiator or hopper cooled	2	SU960E	.70	SU960E	.70
U970	Bracket for fuel tank, hopper cooled	2	UF970	.20	UF970	.20
*U970A	Bracket for fuel tank, hopper cooled	2	SU970B	.15	SU970B	.15
*U991	Pipe nipple for radiator hose	2	UF991	.15	UF991	.15
*U1083L	Left hand brace for rear sheet, engine radiator cooled less housing	1	SU1083L	.50	SU1083L	.50
*U1083R	Right hand brace for rear sheet, engine radiator cooled less housing	1	SU1083R	.50	SU1083R	.50
*U1098	Bar for fuel tank strap—radiator cooled, obsolete	1	SU1098	.50	SU1098	.50
*U1216	Cap for fan bracket	1	SU1216	.45	SU1216	.45
*A1423	Gasoline name plate	1	A1423	.05	A1423	.05
*A1424	Kerosene name plate	1	A1424	.05	A1424	.05
	Pad for fuel tank 1/8" x 1" x 6", engine hopper cooled	2		.05		.05
	Pad for fuel tank 1/8" x 1" x 9 1/4", engine hopper cooled	2		.10		.10
	Pad for fuel tank 1/8" x 1" x 11 1/4", engine hopper cooled	2		.10		.10

STANDARD PURCHASED MATERIAL

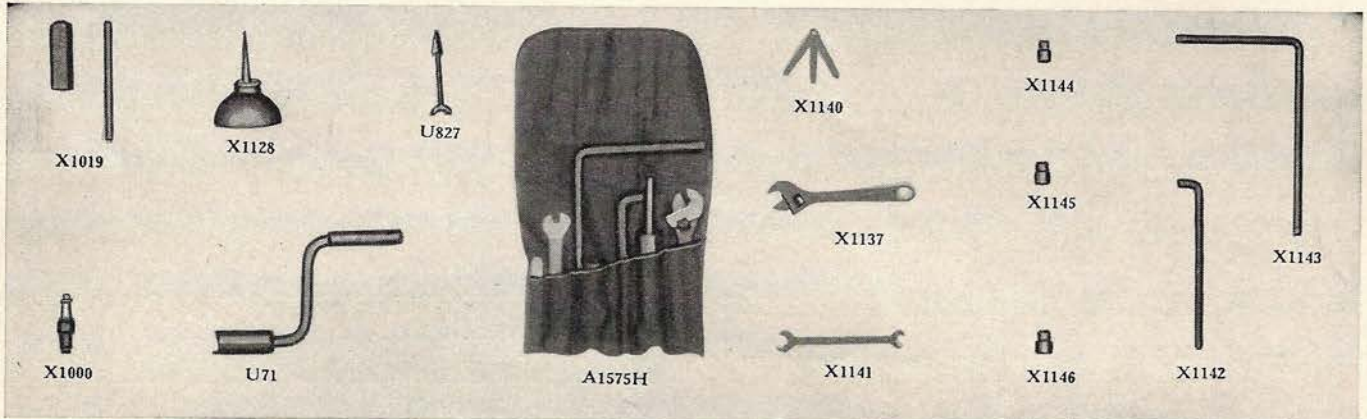
X17	1" 45 degree street ell for water outlet—engine radiator cooled	1	X17	.20	X17	.20
X22	1" 90 degree street ell for water inlet—engine radiator cooled—obsolete	1	X22	.20	X22	.20
X41A	1/4" brass pipe plug for water drain	1	X41A	.08	X41A	.08
X53	1" countersunk pipe plug for radiator	1	X53	.15	X53	.15
X365	1/4" hex nut for housing	16	X365	.02	X365	.02
X367	5/16" hex nut for fuel tank strap	2	X367	.02	X367	.02
X371	1/2" hex nut for housing to base angle	4	X371	.04	X371	.04
X412	1/4" lock washer for housing	18	X412	.01	X412	.01
X413	5/16" lock washer for fan adjusting screw	1	X413	.01	X413	.01
X416	1/2" lock washer for housing to base angles	4	X416	.02	X416	.02
X428	1/4" x 1/2" hex head cap screw for housing	18	X428	.03	X428	.03
X439	5/16" x 2" hex head cap screw for fan	1	X439	.08	X439	.08
X460	1/4" x 3/8" hex head cap screw for fuel tank support 882 and C	2	X460	.03	X460	.03
X468	1/4" x 1 1/4" hex head cap screw for fuel tank supports 882 and C	2	X468	.05	X468	.05
X473	1/2" x 1 1/4" hex head cap screw for housing to base angles	4	X473	.08	X473	.08
X226	5/16" x 2 1/2" round head machine screw for fuel tank support 882A and B	2	X226	.01	X226	.01
X670	5/32" x 1/2" oval head split rivet for fuel tank support 882A and C	8	X670	.01	X670	.01
X693	1/4" x 1/2" round head rivet for bar for housing door	12	X693	.01	X693	.01
X903	3/16" x 1/4" round head rivet for housing	6	X903	.01	X903	.01
X904	3/16" x 3/8" round head rivet for housing	4	X904	.01	X904	.01
X906	3/16" x 5/8" round head rivet for housing	12	X906	.01	X906	.01
X907	3/16" x 1/2" round head rivet for housing	2	X907	.01	X907	.01
X1022	3" hinge hasp and staple	2	X1022	.25	X1022	.25
X1027	1 1/4" hose clamp for radiator hose	4	X1027	.10	X1027	.10
X1028	1 1/2" hinge for housing cover—engine hopper cooled	2	X1028	.20	X1028	.20
X1035	No. 64F Imperial tee fitting for fuel line, engine with kerosene carburetor	1	X1035	.55	X1035	.55
X1038	Straight valve for fuel tank No. NV82	1	X1038	.90	X1038	.90

*Parts not illustrated.

Always Give Model and Serial Number of Engine and Outfit When Ordering Repairs



STARTING CRANK AND TOOLS



PART NO.	NAME OF PART	No. Used	SU-GU		Price	KU-TU	
			Symbol	Price		Symbol	Price
U71	Starting crank complete	1	T3244	2.00	T3244	2.00	
U827	Valve grinding tool	1	AF827	.25	AF827	.25	
*A1575	Tool kit complete	1	A1575	.45	A1575	.45	
A1575H	Tool kit complete for hopper cooled engine, parts AF827, A1575, X1019, X1137, X1140, X1141, X1142, X1143, X1144, X1145, X1146 and X1148.	1	T3324	4.40	T3324	4.40	
*A1575R	Tool kit complete for radiator cooled engine, parts AF827, A1575, X1137, X1140, X1141, X1142, X1144, X1145, X1146, and X1148.	1	T3323	3.85	T3323	3.85	
X1019	Spark plug wrench	1	UF1279	.35	UF1279	.35	
X1019A	Spark plug wrench handle	1	UF1280	.10	UF1280	.10	
X1000	Spark plug	1	X1000	.75	X1000	.75	
X1137	8" adjustable wrench	1	X1137	1.00	X1137	1.00	
X1140	Set of feeler gauges, .010, .012 and .022	1	X1140	.30	X1140	.30	
X1141	Valve tappet wrench	2	X1141	.45	X1141	.45	
X1142	Socket wrench handle 9" and 3/4" inside bend	1	X1142	.25	X1142	.25	
X1143	Socket wrench handle 10" and 6 1/2" inside bend	1	X1143	.35	X1143	.35	
X1144	9/16" socket head	1	X1144	.20	X1144	.20	
X1145	1 1/16" socket head	1	X1145	.20	X1145	.20	
X1146	2 5/32" socket head	1	X1146	.20	X1146	.20	
*X1148	No. 25 double end wrench	1	X1148	.25	X1148	.25	

*Parts not illustrated.



PARTS INDEX

	Page		Page
A		H	
Accessories	21	Hopper Cover.....	4
Air Cleaner Parts.....	17	Hopper Cover Gasket.....	4
B		Housing and Engine Support.....	4
Baffle Plate.....	5	Housing Parts.....	19, 20
Bearing Parts	7	M	
Breather Tube Parts.....	7	Magneto and Parts.....	10, 11
C		Muffler Parts.....	17
Cam Gear	6	O	
Cam Shaft.....	6	Oil Drain Parts.....	6, 7
Carburetor Parts	8, 9	Oil Gear and Parts.....	6, 7
Clutch Parts.....	12, 13	P	
Connecting Rod Parts.....	6	Piston and Parts.....	6
Crank Shaft.....	7	Power Gear Combinations.....	14
Crank Shaft Parts.....	7	Power Take-off Parts.....	15, 16
Cylinder and Parts.....	4, 5	R	
Cylinder Head.....	4	Radiator Parts.....	19, 20
Cylinder Head Gasket.....	4	S	
Cylinder Head Studs.....	4	Sectional View Model U Single Cylinder Engine... 2	
Cam Pinion.....	6	Starting Crank	21
F		Starting Crank Pin.....	21
Flywheel.....	4	T	
Fuel Tank and Parts.....	19, 20	Tappet Parts.....	6
G		Timing Gear Pinion.....	6
Governor Parts.....	8, 9	Timken Roller Bearings.....	7, 16
		V	
		Valve and Valve Parts.....	6
		W	
		Water Inlet and Outlet Parts	19, 20

What Novo Manufactures

- Rollr Engines: Rollr Bearing Engines.
One Cylinder, Four Cycle, Hopper or Radiator Cooled, 1½ H. P. to 4 H. P.
Two Cylinder, Four Cycle, Hopper or Radiator Cooled, 6 H. P. to 10 H. P.
and Radiator Cooled only, 12 H. P.
Four Cylinder, Four Cycle, Radiator Cooled, 14 H. P. to 35 H. P.
Data Sheet No. 146
- F Engines, Four Cylinder, Four Cycle, Valve in Head.
Models EF-40 H. P., XF-50 H. P. *Data Sheet No. 126*
Power Units for Special Heavy Duty Drives.
- Novo Fluid Oil High Pressure Pumps.
Models: EU, Single Cylinder Double Acting.
EW, Two Cylinder, Double Acting.
NT, Triplex, Single Acting.
Drives: Gasoline Engine, Electric Motor, or Belt. *Data Sheet No. 140*
- High Pressure, Type U, Single Cylinder, Double Acting Pumping Outfits.
Data Sheet No. 97
- Open Top Diaphragm Pumping Outfits—Single and Double Pumps.
Data Sheet No. 141
- Closed Top Force Diaphragm Pumping Outfits, Single and Double Pumps.
Data Sheet No. 141
- Roller Ring Plunger Pumps. *Bulletin No. 159*
- Direct Connected Centrifugal Pumping Outfits. *Data Sheet No. 117*
- Novo-La-Bour Self-Priming Centrifugal Pumps. *Bulletin No. 157*
- Sand Dredge Pumps. *Data Sheet No. 129*
- Type TN Reversible Hoist, Single Drum with Two Speed Sheave.
Data Sheet No. 112
- Type NH Hoists, Single and Double Drum, for Loads up to 1600 Pounds.
Data Sheet No. 121
- Type LH Hoist, Single and Double Drum, for Loads Up to One and Three Quarter
Tons. *Data Sheet No. 127*
- Type DH Hoist, Single, Double and Triple Drum, for Loads Up to Two and a
Half Tons with Regular Gearing. *Data Sheet No. 106*
- Type WH Hoist, Single, Double and Triple Drum, for Loads Up to Three Tons
with Regular Gearing. *Data Sheet No. 155*
- Type M Hoist, a Single Drum, Mining Hoist, for Loads Up to Two Tons.
Data Sheet No. 144
- Combination Hoist, Engine and Compressor (Two-in-One) Outfits. Four Sizes.
Data Sheet No. 101
- Log Skidder and Loader Outfits, Double Drum, Two Speed, Portable Gasoline
Log Skidder and Loader. *Data Sheet No. 103*
- Drag Line Hoists, for Gravel Pit and Other Excavation Work.
Data Sheet No. 119
- Combination Engine and Compressor Outfits. *Data Sheet No. 148*
- Road Maintenance Blower *Bulletin No. 160*
- Flud Lite Combination Engine and Generator Lighting Outfits.
Data Sheets No. 152-153
- Oilfield Type Flud Lite Outfits. *Data Sheet No. 151*

